

## RACING BRAKE PADS / APPLICATION LIST RACE CARS

Model	Year	PAGID Racing Pad Shape No.	
		Front	Rear

### AC

Cobra 7.0	64 - 66	8042	8041
Cobra 428 7.0	67 - 74	8042	8041
Greyhound	64 - 68	1195	4508

### Alfa Romeo

156 2.0 16V	95 - 98	1295	
4C	13 -	8023	
Berlina 1.75 2.0	68 - 77	4501	4304
Giulia 1.3/1.6	64 - 66	8056	
Giulia 1.3/1.6	66 - 76	4304	4122
Giulia 2.9 [952] Quadrifoglio	15 -	8005	
Giulia 2.9 [952] Quadrifoglio [ceramic brakes]	15 -	8091	
Giulietta TCR	15 - 17	1904	1363
Giulietta TCR	18 -	1904	1363
GTA 1600	65 - 75	8056	
Sprint GT 1600	63 - 66	4501	4122

### Alpina

B3 [E90 / E92]	07 - 10	4931	4933
B5 F1 X	15 -	8200	4932
B6 Biturbo [F12 / F13]	12 -	4930	4932
B6 GT3 [race car]	13 -	8092	8093

### Aston Martin

DB4	59 - 65	8070	8070
DB4 GT	60 - 63	8071	
DB5 / DB6 / DBS	63 - 70	8042	8041
DB9	04 - 16	2487	1408
DB9 [ceramic brakes]	04 - 16	4941	4943
DB11 [cast iron brakes]	16 -	8081	2487
DBS V8	69 - 74	1191	8041
Vanquish	03 - 08	1287	1408
Vanquish [ceramic brakes]	12 - 18	4941	4943
Vantage [cast iron brakes] street car	18 -	8081	2487
Vantage V8 GT4 ProDrive [race car] stock OE caliper	12 -	2487	1408

Please check with the appropriate drawing in shape list!

## RACING BRAKE PADS / APPLICATION LIST RACE CARS

Model	Year	PAGID Racing Pad Shape No.	
		Front	Rear

### Aston Martin

Vantage V8 GT4 ProDrive [race car] 6 piston front	11 - 17	8087	1674
Vantage V8 GT4 ProDrive [race car] 6 piston front, larger rear caliper	11 - 17	8087	1619
Vantage V8 GT4 ProDrive [race car] Alcon caliper	18 -	1539	1607
Vantage V8 GTE [race car]	12 - 17	8100	2704
Vantage V8 GTE [race car] Alcon caliper	18 -	8100	2704
Vantage V12 GT3 [race car]	13 - 14	8087	1674
Vantage V12 GT3 [race car] sprint	15 - 17	8087 / 2488	1674 / 2704
Vantage V12 GT3 [race car] endurance	15 - 17	8100	2704
Vantage V12 GT3 [race car] Alcon caliper	18 -	8100	2704
Vantage V12S [ceramic brake]	13 -	4941	4943

### Audi

50	74 - 79	4304	
60 / 75	66 - 72	4304	
80 2.2 Quattro S2	90 - 96	1276	
100	68 - 74	4304	4304
A1 2.0 TFSI Quattro	12 -	8001	4936
A3 1.8 20V	96 - 03		1158
A3 1.8 20V Turbo	96 - 99	1678	1158
A3 2.0 Quattro [8PA]	04 - 13	2130	8046
A3 3.2 Quattro	06 - 13	8001	8046
A4 & A5 & A6 & A7 [several]	08 -	8096	8039
A4 & A6 [several]		8064	1158
A4 1.8 20V	95 - 00	1678	1158
A8 D3 [ceramic brakes]	02 - 09	4907	8039
Q5 [8R]	08 - 16	8096	8039
R8 4.2 and 5.2 FSI quattro	07 - 15	2931	1287
R8 4.2 and 5.2 FSI quattro [ceramic brakes]	09 - 15	4907	1287
R8 5.2 FSI quattro (2nd generation)	15 -	4907	1287
R8 5.2 FSI quattro (2nd generation) [ceramic brakes]	15 -	4907	1287
R8 5.2 RWS (2nd generation)	18 -	2931	1287
R8 LMS Ultra GT3 [race car]	12 - 15	8087	1674
R8 LMS GT3 [race car]	16 -	8100	2704

Please check with the appropriate drawing in shape list!

## RACING BRAKE PADS / APPLICATION LIST RACE CARS

Model	Year	PAGID Racing Pad Shape No.	
		Front	Rear
R8 GT4 + GT4 Cup [race car]	17 -	8101	1674
RS3 LMS TCR [race car]	16 -	1539	1363
RS3 Sportback [8PA]	11 - 12	2487	8046
RS3 Sportback [8VA]	15 -	2931	
RS4 quattro Avant [B5]	00 - 02	2830	1158
RS4 quattro [B7]	05 - 08	2931	8039
RS5 (8TR)	10 - 15	2931	8039
RS6 (C5)	02 - 04	2931	8039
RS6 (C6)	08 - 10	8081	8039
RS6 (C6) [ceramic brakes front]	08 - 10	4910	8039
RS6 (C7)	13 - 18	8238	8039
RS6 (C7) [ceramic brakes]	13 - 18	8088	4938
S1 Sport Quattro Rally Car	84 - 85	1270	1361
S3	99 - 01	1678	1158
S3 Quattro (disc Ø 340 mm) performance brake	14 -	8201	
S3 Quattro (disc Ø 345 mm)	06 - 12	8064	8046
S4 [B6 + B7]	04 - 08	8064	8039
S4 [B8] (disc Ø 345 mm)	08 - 15	8096	8039
S5 (disc Ø 345 mm)	07 - 17	8096	8039
S6 [ceramic brakes]	12 -	4937	4938
S7 [ceramic brakes]	12 -	4937	4938
S8	99 - 02	1842	1158
S8 [ceramic brakes]	02 - 10	4907	
TT	98 - 06	1678	1158
TT 3.2 V6 Quattro (disc Ø 288 mm)	06 - 10	8001	8046
TT 3.2 V6 Quattro (disc Ø 345 mm)	06 - 10	8064	8046
TT Cup [race car]	15 -	1539	1363
TT R32	04 - 06	2830	1158
TT RS 2.5 Quattro	09 - 14	2487	8046
TT RS 2.5 Quattro [FV3]	16 -	2931	
TTS 2.0 Quattro	09 - 14	8064	8046

### Ave-Riley

AR2 LMP3 [race car]	17 -	2488	2488
---------------------	------	------	------

Please check with the appropriate drawing in shape list!

## RACING BRAKE PADS / APPLICATION LIST RACE CARS

Model	Year	PAGID Racing Pad Shape No.	
		Front	Rear

### Bentley

Continental GT [ceramic brakes]	03 - 11	4910	8039
Continental GT [ceramic brakes]	11 -	4937	4938
Continental GT3 [race car]	14 - 17	2017	1674
Continental GT3 [race car]	18 -	8100	2704
Mulsanne [ceramic brakes]	10 -	4937	4938

### Bizzarini

5300 GT	66 - 68	1191	1192
---------	---------	------	------

### BMW

1 Series M Coupe [E82]	11 - 13	8053	8021
120d & 130i [E81 & E87]	03 - 12	1295	8035
135i [E82 & E88]	07 - 13	8084	8085
1600 Ti / 1800 Ti / TiSA	63 - 71	4304	
2002 Ti / Tii	69 - 75	4702	
3 Series M-Technic / Brembo	09 -	8084	8085
3.0 CSL [E9]	71 - 75	4703	4122
318is - 325i [E30]	82 - 93	1544	1141
318is - 325i [E36]	90 - 98	2180	1285
320i - 325i [E46]	98 - 05	2180	1285
320i - 330i [E90]	05 - 11	8053	8035
330i [E46]	00 - 05	1295	2685
335i, 335d [E90 / E91 / E92]	06 - 11	8053	8051
507 / 700	56 - 65	8070	
850 [E31]	90 - 99	1427	2685
M1 [non Procar]	78 - 82	4703	4304
M1 [Group 4 Procar ATE Caliper]	78 - 81	1196	
M135i [F20 & F21]	11 - 16	4931	4933
M140i [F20]	15 -	4931	4933
M2 [F87]	15 -	4931	4933
M2 [F87] Competition	18 -	4934	1287
M235i [F22]	13 -	4931	4933
M235i Racing [PFC front caliper]	14 - 15	8197	4933
M235i Racing [AP front caliper]	16 -	2688	4933
M240i [F22]	15 -	4931	4933

Please check with the appropriate drawing in shape list!



## RACING BRAKE PADS / APPLICATION LIST RACE CARS

Model	Year	PAGID Racing Pad Shape No.	
		Front	Rear

### BMW

M3 [E30] EVO I & II	86 - 92	1144	1285
M3 [E36] 3.0 & 3.2	92 - 99	1295	1285
M3 [E46] & M3 CSL	00 - 07	1295	2685
M3 [E90 / E92]	07 - 13	8053	8021
M3 [E92] GT4 race version	09 - 14	1538	1270
M3 [F80]	14 -	4931	4933
M4 [F82]	14 -	4931	4933
M4 [F82] [ceramic brakes]	14 -	4934	1287
M4 [F82] Competition	16 -	4931	4933
M4 GT4 [race car]	17 -	2019	1674
M5 [E34]	88 - 97	1295	1285
M5 [E39]	98 - 03	2683	2685
M5 [E60]	04 - 11	8019	8021
M5 [F10]	11 - 16	4934	4932
M5 [F10] [ceramic brakes]	11 - 16	4935	4932
M6 [E63 / E64]	06 - 12	8019	8021
M6 [F13]	12 -	4934	4932
M6 [F13] [ceramic brakes]	12 -	4935	4932
M6 GT3 [race car]	16 -	2019	1674
M6 GTLM [race car]	16 - 17	2019	1674
M8 GTE [race car]	18 -	8100	2704
Mini Cooper	02 - 06	2959	
Mini John Cooper Works [Brembo brakes] on request	15 -		
Z1	88 - 91	1544	1285
Z3 M Coupe [E36]	98 - 03	1295	1285
Z3 M Roadster 3.2i	97 - 03	1295	1285
Z4	05 - 09	2180	1285
Z4 GT3 [race car]	13 - 15	2558	1270
Z4 M Coupe	06 - 09	1295	2685
Z8 4.9	00 - 03	2683	2685

### Cadillac

CTS-V (4 piston front caliper)	03 - 09	2487	1408
CTS-V (6 piston front caliper)	10 - 14	8081	1408

Please check with the appropriate drawing in shape list!

## RACING BRAKE PADS / APPLICATION LIST RACE CARS

Model	Year	PAGID Racing Pad Shape No.	
		Front	Rear

### Caterham

Seven Range	97 -	3102	1163
SP / 300.R	12 -	4349	4349
Stock AP up-grade	97 -	1265	1363

### Chevrolet

Callaway Z06.R GT3 [race car]	13 - 16	8087	1270
Callaway Z06.R GT3 [race car]	16 -	2017	2704
Camaro SS [Gen 5]	09 - 15	2487	1408
Camaro SS [Gen 6] 4 Piston Brembo caliper	16 -	2487	8208
Camaro SS [Gen 6] 6 Piston Brembo caliper - upgrade kit	16 -	8081	8208
Camaro SS 1LE [Gen 6] (6 piston Brembo)	16 -	8081	8208
Camaro Z / 28w / 4 wheel disc	67 - 68	8057	8057
Camaro Z28 [Gen 5] [ceramic brakes]	15 - 17	8091	4906
Camaro ZL1 [Gen 5]	12 - 15	8081	1408
Camaro ZL1 and ZL1 1LE [Gen 6]	16 -	8253	1408
Camaro GT4 R [race car]	17 -	8100	8208
Cobalt SS Turbocharged	08 - 10	8023	
Corvette C6 Brembo [ceramic brakes]	09 - 13	8091	4906
Corvette C6 Brembo 6 piston non ceramic	09 - 13	8091	2487
Corvette C32 Stingray	63 - 82	8057	8057
Corvette C5 & C6 base	05 - 13	2213	
Corvette C5 base, Z06	97 - 04	2213	
Corvette C6 Grand Sport [multi pad system]	10 - 13	8240 front	8240 rear
Corvette C6 Z06 [multi pad system]	06 - 13	8240 front	8240 rear
Corvette C7 base	14 -	2487	8208
Corvette C7 GT3 [Callaway Race Car]	15 -	2017	1674
Corvette C7.R GTE [ Race Car]	14 -	2558	1813
Corvette C7 Z06 [iron brakes]	15 -	8081	8208
Corvette C7 Z06 [ceramic brakes]	15 -	8091	4906
Corvette C7 Z51	14 -	2487	8208
GM Intermediate D52, several models		1594USA	
GM Metric D154, several models		1595USA	

Please check with the appropriate drawing in shape list!

## RACING BRAKE PADS / APPLICATION LIST RACE CARS

Model	Year	PAGID Racing Pad Shape No.	
		Front	Rear

### Citroën

ZX 2.0 16V	96 - 97	1544	1610
DS3 N5 spec. 2016	16 -	1361	1361
DS3 N5 spec. 2017	17 -	1616	1616
DS 3 R1	15 -	8212	
DS 3 R3 Tarmac Rally	15 -	1595	3102
DS 3 R5 Tarmac Rally	15 -	1595	1595
Saxo 1.6 VTS (Cup)	96 - 04	2388	1610

### Dallara

F308 (Formula F3) Brembo Caliper	08 - 11	8049	8049
F308 (Formula F3) AP Caliper	08 - 11	8060	8060
F312 (Formula F3) Brembo Caliper	12 - 16	8049	8049
F312 (Formula F3) AP Caliper	12 - 16	8060	8060
F317 (Formula F3) Brembo Caliper	17 -	8049	8049
F317 (Formula F3) AP Caliper	17 -	8060	8060

### De Tomaso

Pantera	73 - 90	1191	8041
---------	---------	------	------

### DKW

F12	63 - 65	4122	
-----	---------	------	--

### Dodge

Challenger HellCat & 392	15 -	8081	1408
Dart	65 - 72	8086	
Viper	92 - 00	1408	1682
Viper	01 - 02	1408	
Viper ACR [ceramic brakes]	14 - 17	8253	4906
Viper Competition Coupe	03 -	1287	1287
Viper SRT TA (time attack)	14 - 17	2487	2487
Viper SRT-10	04 - 08	1287	1287
Viper SRT GT3-R	13 -17	8100	2704

Please check with the appropriate drawing in shape list!

## RACING BRAKE PADS / APPLICATION LIST RACE CARS

Model	Year	PAGID Racing Pad Shape No.	
		Front	Rear
<b>Ferrari</b>			
206	67 - 68	8042	8041
212E Montagna	68 -	8071	8070
250 GT Berlinetta SWB	59 - 62	8071	8070
250 GT / 275 GT	60 - 66	8071	8070
308 GT4 / GTB / GTS 2 valve	73 - 85	4501	4304
330 GTC / GTS	66 - 68	1191	8041
348 GTB, GTS, Spider	89 - 94	1203	1203
355 Berlinetta, GTS	94 - 99	1203	1203
355 Challenge	95 - 00	1674	1674
360 all models	99 - 05	1408	1408
360 Challenge	99 - 05	1896	1595
360 Challenge Stradale [ceramic brakes]	03 - 05	8083	4906
365 GTB / GTC	67 - 76	1191	8041
365 GTB4 / Daytona	67 - 76	4703	4634
430 Challenge [ceramic brakes]		8091	4906
430 Scuderia [ceramic brakes]	07 - 10	8091	4906
456 GT	94 - 96	1427	1203
458 Italia [ceramic brakes]	10 - 15	8091	4906
458 Italia GT3 [race car]	13 - 16	8100	1674
458 GTE [race car]	14 - 16	8100	2704
488 GTE [race car]	17 -	8100	2704
458 Speciale [ceramic brakes]	13 -	4580	4581
488 [ceramic brakes]	15 -	4580	4581
488 GT3 [race car]	16 -	8101	1674
500 Super	64 - 66	8071	8070
512 BB	76 - 85	4703	4634
512 Testarossa	92 - 96	1287	1203
575M Maranello	02 - 06	1427	1203
599 GTB Fiorano	06 - 12	8091	4906
Dino 206 SP	65 -	8071	8070
Dino 246 GTB / GTS	68 - 75	4501	4304
Enzo [ceramic brakes]	02 - 04	8083	4906
F40 Street and race	87 - 92	1287	1287
F430 [cast iron brakes]	05 - 10	1408	1408

Please check with the appropriate drawing in shape list!

## RACING BRAKE PADS / APPLICATION LIST RACE CARS

Model	Year	PAGID Racing Pad Shape No.	
		Front	Rear

### Ferrari

F430 [ceramic brakes]	05 - 10	8083	4906
F50	95 - 97	1287	1287
F512 M & 550		1427	1203
Several ceramic brakes CCM		8091	4906

### Fiat

Punto Abarth 1.4	07 - 12	8023	4940
500 1.4 Abarth [Brembo brakes]	09 -	8023	
Abarth 124 Spider	16 -	3830	8077
Abarth 124 Spider [Brembo brakes]	16 -	8023	8077
Abarth 124 Spider [rally car]	17 -	1616	1616

### Ford

Capri Mk1 / Mk2 / Mk3	72 - 87	4905	
Cortina Mk1	64 - 66	3102	
Cortina Mk2 1.6 GT / Lotus	66 - 70	8041	
Cortina Mk3 / Mk4 / Mk5	70 - 82	4905	
Escort Mk1 1.3	69 - 74	3102	
Escort Mk1 / Mk2 2.0 RS	73 - 80	4905	
Fiesta & Puma 16V	96 - 02	4823	
Fiesta R2 Tarmac Rally Spec 2015	15 -	2555	
Fiesta VII ST	17 -	8262	8264
Fiesta R2 Tarmac Rally Spec 2016	15 -	1595	3102
Fiesta R5 Gravel Rally	15 -	1617	1617
Fiesta R5 Tarmac Rally	15 -	1616	1616
Focus II 2.5 RS	09 - 11	8096	
GT	04 - 06	2487	2487
GT (second generation) ceramic brakes	17 -	8253	2487
GT 40	64 - 68	1195	4508
Mustang	68 - 73	8086	
Mustang (Saleen S281 Extreme)	07 - 07	1903	8113
Mustang Boss 302	12 - 13	2487	8113
Mustang Boss 302S	13 -	1674	8113
Mustang GT [4 piston Brembo]	11 - 14	2487	8113
Mustang GT [performance package - 6 piston Brembo / 15" discs]	15 -	8203	8204

Please check with the appropriate drawing in shape list!

## RACING BRAKE PADS / APPLICATION LIST RACE CARS

Model	Year	PAGID Racing Pad Shape No.	
		Front	Rear

### Ford

Mustang Mk1 / T5 / 289 GT	65 - 67	8086	
Mustang Shelby GT350 [6 piston Brembo caliper / 15.5" disc]	15 -	8239	8208
Mustang Shelby GT500 [4 piston Brembo caliper / 15" disc]	07 - 14	2487	8113
Mustang FP350S (race car by FORD Performance) AP brakes	18 -	1904	

### Ginetta

G4	61 - 69	3102	
G15	67 - 73	1151	
G55 GT3 [race car] with PFC brakes		4923	8093
G55 GT4 [race car]		1539	1595
LMP3 [race car]	15 -	2488	2488

### Glas

G / 04 Type	63 - 69	4122	4122
2600 GT / 3000 GT	65 - 69	4501	4122

### Honda (Acura)

Accord Type R	97 - 03	2623	1158
Civic Type R [Brembo brakes] IX and X generation	15 -	2487	
Civic TCR [race car]	15 - 17	1904	1363
Civic TCR [race car]	18 -	1539	1363
Civic Type R / S2000 / RSX	99 - 05	8010	
Integra Type R DC2	96 - 01	2623	
NSX	90 - 05	2623	
NSX GT3 [race car]	17 -	2017 / 2019	2704

### Huffaker

Genie MK VIII	63	1192	1192
---------------	----	------	------

### Hyundai

i20 N5 Spec. 2017	17 -	1616	1616
i20 R5 Tarmac Rally	16 -	1616	1616
i30 TCR race car [Brembo caliper]	17 -	8087	4304
Genesis Coupe 3.8 track	10 - 16	2487	1587
Veloster N	18 -	7034	7035
i30 N	18 -	7034	7035

Please check with the appropriate drawing in shape list!

## RACING BRAKE PADS / APPLICATION LIST RACE CARS

Model	Year	PAGID Racing Pad Shape No.	
		Front	Rear

### Iso

Grifo / Fidia / Rivolta	63 - 68	8071	8070
Grifo / Fidia / Rivolta	68 - 74	1191	8041

### Jaguar

Daimler XK 150	58 - 61	8070	8070
E-Type 3.8 / 4.2	62 - 68	8070	8070
E-Type 4.2 / 5.3	69 - 75	8042	8041
F Type	14 -	8019	
Mk1 / Mk2	55 - 67	8070	8070
Mk9 / Mk10 3,8 / 4,2	58 - 66	8071	8070

### Jensen

CV8 / 541R / 541S / Interceptor	59 - 66	8070	8070
FF / Interceptor / SP V8	66 - 76	8042	8041
Healey / Healey GT	72 - 76	3190	

### KIA

Pro Ceed 1.6 GT	13 -	7034	7035
Stinger 3.3 T-GDI V6 [4 piston Brembo]	18 -	2487	

### KTM

X-Bow	08 -	1408	1587
X-Bow GT4	15 -	8222	1674

### Lamborghini

350 GT / 400 GT / Miura	64 - 71	1191	8041
Aventador LP700-4 [ceramic brakes]	11 -	4937	4906
Countach	74 - 91	4703	4304
Diablo [Brembo brakes]	92 - 99	1287	1287
Gallardo	04 - 13	2931	1287
Gallardo [ceramic brakes]	04 - 13	4907	1287
Gallardo GT3 [race car]	14 - 15	2488	1674
Gallardo LP 600 GT3 [race car]	13 - 15	8087	1674
Huracán [iron brakes]	14 -	2931	1287
Huracán and Performance [ceramic brakes]	14 -	4907	1287
Huracán GT3 [race car]	15 -	8101	1674

Please check with the appropriate drawing in shape list!

## RACING BRAKE PADS / APPLICATION LIST RACE CARS

Model	Year	PAGID Racing Pad Shape No.	
		Front	Rear

### Lamborghini

Huracán Trofeo [race car]	15 -	8101	1674
Murciélago [non ceramic]	01 - 10	1287	1287
Several ceramic brakes		4907	4906
Urraco	74 - 81	4703	3102

### Lancia

Delta 2.0 HF Int.16V Evo	91 - 94	1408	1158
Fulvia	63 - 69	8070	8070
Stratos	74 - 75	4501	4304
Stratos HF Group N4 Rally	74 - 76	1270	1269

### Lexus

IS-F	08 - 11	8005	
RC F GT3	17 -	2560	1674

### Ligier

JS P3 (Onroack) LMP3	17 -	8087	8087
----------------------	------	------	------

### Lotus

23	62 - 66	8032	8032
Elan	66 - 74	3102	
3-Eleven 430	15 -	4345	4345
Elise and Club Racer	96 -	2593	1682
Esprit	75 - 86	4507	
Esprit Turbo	94 - 96	1408	1408
Evora 3.5 and 3.5S	09 - 16	4345	8214
Evora 3.5 400	15 -	4345	4345
Exige	03 -	2593	1682
Exige V6 Sport 350	16 -	4345	8214
Exige V6 Sport 360 Cup	15 -	4349	1682
Exige Sport Cup	06 -	4349	1682
Seven / Super 7	68 - 74	3102	

Please check with the appropriate drawing in shape list!



## RACING BRAKE PADS / APPLICATION LIST RACE CARS

Model	Year	PAGID Racing Pad Shape No.	
		Front	Rear

### Maserati

3500 GT	61 - 64	1191	8041
BiTurbo 2.5 & 2.8	94 - 99	2683	2685
Ghibli / Indy	68 - 75	1191	8041
Ghibli (M157) [4 piston Brembo caliper / disc ø 345mm]	13 -	2487	
Ghibli (M157) [6 piston Brembo caliper / disc ø 360mm]	13 -	8005	1408
Grand Turismo	07 -	8005	1408
Mistral	64 - 69	1191	8041
Sebring	63 - 69	1191	8041
Spyder 4.2 & Coupe 3.2	02 - 07	1427	1203
Trofeo MC	13 -	8087	1283
Trofeo GT4	16 -	8087	1283

### Mazda

Miata 1.8 NB (spec Miata)	94 - 00	8127	8129
MX-5 Miata NC	06 - 15	8082	8077
MX-5 Miata ND	16 -	3830	8077
MX-5 Miata ND [Brembo brakes]	16 -	8023	8077
MX-5 Miata Global Cup Car	16 -	8023	8077
Mazdaspeed3	07 - 13	8064	

### McLaren

570S, 540C, 570GT	15 -	4346	4345
570S GT4 race car	16 - 17	4346	4345
570S GT4 [race car] (wider front caliper)	18 -	8261	4345
570S [ceramic brakes]	15 -	8091	8187
600LT [ceramic brakes]	18 -	8269	8270
650S / Spyder	14 - 17	4346	4345
650S / Spyder [ceramic brakes]	14 - 17	8091	8187
650S GT3 [race car] AP caliper	15 - 16	2557	1674
650S GT3 [race car] AP caliper	17 -	2560	1674
675LT	15 -	4346	4345
675LT [ceramic brakes]	15 -	8091	8187
720S [ceramic brakes]	17 -	8269	8270
F1 / shape rear on inquiry	92 - 98	1287	
MP4-12C	11 - 14	4346	4345

Please check with the appropriate drawing in shape list!

## RACING BRAKE PADS / APPLICATION LIST RACE CARS

Model	Year	PAGID Racing Pad Shape No.	
		Front	Rear

### McLaren

MP4-12C [ceramic brakes]	11 - 14	8091	8187
MP4-12C GT3 [race car] Akebono caliper	13 - 15	2557	1674

### Mercedes

190 2.3 / 2.5 16V (W201)	82 - 93	1190	1151
190 - 300 (W108 - W115)	59 - 71	4501	4304
200 - 300 (W123)	76 - 85	1291	4304
250 - 280 (W114)	71 - 76	1291	4304
280 - 450 (W116)	72 - 80	1291	4304
A 45 AMG (W176)	13 -	8188	8189
AMG GT GT3 [race car]	16 -	2564	1674
AMG GT4 [race car]	17 -	2564	1674
AMG GTR [ceramic]	17 -	8088	8246
AMG GTR [cast iron brakes]	17 -	8238	8246
AMG GTS (disc Ø 360 mm) Akebono caliper	15 -	8257	8246
AMG GTS (disc Ø 390 mm) Brembo caliper	15 -	8238	8246
C 63 AMG [W204]	08 - 14	8081	8031
C 63 AMG [W205] (disc Ø 360 mm) Akebono caliper	15 -	8257	8246
C 63 AMG [W205] (disc Ø 390 mm) Brembo caliper	15 -	8238	8246
CLA 45 AMG	13 -	8188	8189
CLA Cup [race car]	12 -	1539	8189
CLK 63 AMG Black Series	06 - 09	8081	8031
CLS 63 AMG [ceramic brakes]	11 -	8088	8089
E55 AMG [W211]	02 - 08	8027	8031
GL 63 AMG 4-matic	11 -	8238	
ML 63 AMG 4-matic	11 -	8238	
SL 65 AMG [R230] black series	08 - 12	8027	8031
SLK 55 AMG [R171]	04 - 11	8005	8031
SLK 55 AMG [R172]	12 -	8188	8189
SLK Roadster 32 AMG [R170]	01 - 04	2830	
SLR	04 - 10	8027	8031
SLS AMG black series [ceramic brakes]	09 - 15	8088	8089
SLS AMG GT3 [race car]	13 - 15	8101	1674

### Mercury

Cougar	67 -	8086	
--------	------	------	--

Please check with the appropriate drawing in shape list!

## RACING BRAKE PADS / APPLICATION LIST RACE CARS

Model	Year	PAGID Racing Pad Shape No.	
		Front	Rear

### Mitsubishi

3000 GT	92 - 96	1591	
3000 GT VR4	92 - 99	1406	
EVO X R4 / Super Gr. N Tarmac Spec.	15 -	2931	8234
Lancer Evo III	92 - 94	1591	
Lancer Evo IV	95 - 97	1591	2445
Lancer Evo V - Evo IX	98 - 06	2487	1587
Lancer Evo IX Gravel Rally	05 - 07	8030	1283
Lancer Evo X	07 - 16	2487	8069
Lancer Evo X Gravel Rally / FIA Gr. N	07 - 16	8033	1283
Lancer Evo X Gravel Rally [AP Caliper]	07 - 16	1361	1749
Lancer Evo X R4 Tarmac Rally	07 - 16	1904	1903
Lancer Evo X Tarmac Rally [Brembo Caliper]	07 - 16	8030	1283

### Morgan

4 / 4 1.6 / 2.0	66 - 86	3190	
Plus 8 3.5	66 - 73	8041	

### Nissan

240Z	70 - 73	4905	
260Z	74 - 75	4905	
280Z	75 - 78	4905	
300ZX	89 - 97	1406	
350Z Coupe Track	02 - 08	1427	1587
GT-R NISMO GT3 [race car]	15 -	2560	1270
R35 GTR	08 -	8081	1287
R35 GTR [ceramic brakes]	08 -	4945	4946
Skyline GTR	89 - 95	1427	1587

### Norma

M30 LMP3 [race car]	17 -	8233	8233
---------------------	------	------	------

### NSU

Prinz 1000 TT / TTS	65 - 72	4122	
---------------------	---------	------	--

## RACING BRAKE PADS / APPLICATION LIST RACE CARS

Model	Year	PAGID Racing Pad Shape No.	
		Front	Rear

### Opel

Adam Rallye Cup	12 -	8023	4940
Adam Rallye R2	14 -	2555	4940
Ascona A	70 - 75	4304	
Ascona B	75 - 78	4507	
Astra F 2.0 GSI 16V	91 - 98	1288	1177
Astra G OPC	99 - 03	2275	8185
Astra H OPC	05 - 09		8185
Astra J OPC	09 -		4939
Astra OPC [race car]	15 -	1539	1363
Astra TCR [race car]	16 -	1539	1363
Calibra 2.0i 16V	90 - 94	1288	1177
Commodore B	72 - 77	4501	4304
Corsa B 1.6 GSI 16V	93 - 00	1620	
Corsa D 1.6 Turbo	07 - 14		4940
GT	69 - 73	4304	
Kadett B 1.5 / 1.9 / Kadett C	67 - 79	4304	
Kadett C 1.9i / 2.0i Rallye / GTE	73 - 79	4507	
Kadett E 2.0 GSI 16V	88 - 91	1288	1177
Speedster 2.2i 16V	00 - 05	2593	1682

### Peerless

2.0	58 - 60	1192	
-----	---------	------	--

### Peugeot

205 1.9 GTI	87 - 98	3276	1610
207 Asphalt Rally	06 - 15	8033	
208 N5 Spec. 2015	17 -	1361	1361
208 N5 Spec. 2017-2018	17 -	1616	1616
208 R2	12 -	1595	3102
208 R5	12 -	1595	1595
306 2.0 S16	93 - 98	2388	1610
308 II 1.6 GTI	13 -	8050	
308 TCR	18 -	1539	1587
309 1.9 GTI 16V	90 - 93	3276	1610
405 2.0 MI 16	92 - 95	2388	1158
406 Coupe Brembo brake	97 - 04	1408	

Please check with the appropriate drawing in shape list!

## RACING BRAKE PADS / APPLICATION LIST RACE CARS

Model	Year	PAGID Racing Pad Shape No.	
		Front	Rear
<b>Piper</b>			
GTT	68 - 74	3102	3102
<b>Plymouth</b>			
Duster	70 - 72	8086	
<b>Pontiac</b>			
GM Intermediate D52, several models		1594USA	
GM Metric D154, several models		1595USA	
GTO	05 - 06	2213	
<b>Porsche</b>			
356 1.6 C / SC	63 - 66	4304	4122
904 Carrera GTS + 904 / 6	63 - 65	4304	4122
908 / 01	68 - 71	4503	4503
911 2.0 - 2.8 S-Calipers	64 - 73	4501	4304
911 2.0 M-Calipers	65 - 69	4304	4122
911 2.7 / 3.0 / 3.2 Carrera	72 - 89	4501	4304
911 3.3 SC Turbo / Turbo S	77 - 90	1203	1203
911 S	72 - 83	4503	4304
912	65 - 70	4304	4122
914 / 4	70 - 72	4304	4122
914 / 6	70 - 72	4304	4304
918 Spyder	13 - 15	4927	4925
924 2.0	76 - 83	4623	
924 2.0 Turbo / 2.5 S	79 - 88	4702	4623
928 4.5	77 - 79	4702	4623
928 5.4 GTS 32V	91 - 95	1842	1203
928 S & S4 & GT	85 - 95	1204	1203
935 Moby Dick	76 - 81	8059	8059
944 2.5 Turbo	85 - 87	1203	1203
944 2.5 Turbo	87 - 91	1204	1203
944 2.5 / 2.5 S / 2.7	81 - 91	4702	4623
944 2.7 & 3.0 S2	88 - 91	1203	1203
959 2.8	87 - 91	1842	1842
962 / 956	82 - 84	8058	8058

Please check with the appropriate drawing in shape list!

## RACING BRAKE PADS / APPLICATION LIST RACE CARS

Model	Year	PAGID Racing Pad Shape No.	
		Front	Rear
<b>Porsche</b>			
964 3.3 Turbo & Turbo S	88 - 91	1204	1203
964 3.3 / 3.6 Turbo & Turbo S	91 - 93	1842	1203
964 3.6 C4	88 - 94	1203	1203
964 3.6 Carrera RS	91 - 93	1204	1203
964 C2 3.6	88 - 91	1203	1580
964 C2 3.6	91 - 94	1203	1203
968 3.0 Coupe	91 - 95	1203	1203
968 3.0 Coupe Sport	91 - 95	1204	1203
968 3.0 Coupe Turbo S	93 - 95	1842	1203
991 3.4 Carrera [ceramic brake caliper with RBD cast iron disk]	11 -	8235	4909
991 3.4 Carrera [ceramic brakes]	11 - 15	4908	4909
991 3.4 Carrera [iron brakes]	11 - 15	8074	4918
991 3.8 Carrera S [ceramic brake caliper with RBD cast iron disk]	11 -	8235	4909
991 3.8 Carrera S [ceramic brakes]	11 - 15	4908	4909
991 3.8 Carrera S / GTS [iron brakes]	11 - 15	4922	4909
991 GT3 [ceramic brakes]	15 - 18	4927	4925
991 GT3 [iron brakes]	15 - 18	4924	4925
991 GT3 Cup [PFC brakes 22 / 20 mm]	13 -	4920	4921
991 GT3 Cup [PFC brakes 28 / 26 mm]	13 -	4928	4929
991 GT3 Cup MR [PFC brakes 22 / 20 mm]	13 -	4920	4921
991 GT3 Cup MR [PFC brakes 28 / 26 mm]	13 -	4928	4929
991 GT3 R [race car]	16 - 18	8241	8242
991 GT3 R [race car]	19 -	2560 / 2564	1674
991 GT3 RS [ceramic brakes]	15 - 18	4927	4925
991 GT3 RS [iron brakes]	15 - 18	4924	4925
991 RSR GTE [race car]	17 -	2564	1674
991 Turbo [ceramic brakes]	13 -	4927	4925
991 Turbo [iron brakes]	13 -	4924	4925
991 Turbo S [ceramic brakes]	13 -	4927	4925
991 Turbo S [iron brakes]	13 -	4924	4925
991.2 3.0 Carrera [ceramic brakes]	15 -	4908	4909
991.2 3.0 Carrera [iron brakes]	15 -	8074	4918
991.2 3.0 Carrera S [ceramic brakes]	15 -	4908	4909

Please check with the appropriate drawing in shape list!

## RACING BRAKE PADS / APPLICATION LIST RACE CARS

Model	Year	PAGID Racing Pad Shape No.	
		Front	Rear
991.2 3.0 Carrera S [iron brakes]	15 -	4908	4909
991.2 3.0 Carrera GTS [iron brakes]	17 -	4908	4909
991.2 GT2 RS [ceramic brakes]	18 -	4927	4925
991.2 GT3 [ceramic brakes]	18 -	4927	4925
991.2 GT3 [iron brakes]	18 -	4924	4925
991.2 GT3 RS [ceramic brakes]	18 -	4927	4925
991.2 GT3 RS [iron brakes]	18 -	4924	4925
991 R [ceramic brakes]	16 -	4927	4925
991 911 Speedster [iron brakes]	19 -	4924	4925
992 3.0 Carrera [iron brakes]	18-	8074	4909
992 3.0 Carrera S [iron brakes]	18-	4924	4909
992 3.0 Carrera 4S [iron brakes]	18-	4924	4909
992 3.0 Carrera 4S [ceramic brakes]	18-	4927	4925
992 GT3 [iron brakes]	20-	4924	4925
992 GT3 [ceramic brakes]	20-	4927	4925
992 Turbo [iron brakes]	20-	4927	4925
993 3.6 Carrera & C4	93 - 97	1204	1203
993 3.6 Turbo & Turbo GT2	95 - 97	1842	1204
993 3.8 Carrera RS & RSR	95 - 97	1842	1204
993 4S [turbo look]	96 - 97	1842	1204
993 GT2 & RSR [disc ø 380 mm]	95 - 97	1908	1204
996 3.4 C & 3.6	97 - 05	2405	2406
996 3.4 C Cup	97 - 98	1842	2405
996 3.4 C Cup	99 - 01	2474	2405
996 3.6 C 4S	03 - 05	2474	2405
996 GT2	02 - 05	2707	2405
996 GT3	99 - 01	2474	2405
996 GT3	02 - 05	2707	2405
996 GT3 Cup	02 - 05	2707	2405
996 GT3 R & GT3 RS [race car]	00 - 05	1908	1674
996 GT3 RS [street car]	03 - 05	2707	2405
996 Turbo	99 - 05	2474	2405
997 3.6 C & 3.6 C4	05 - 09	2405	2406
997 3.6 C & 3.6 C4	08 - 11	8074	8006
997 3.8 C S & 3.8 C 4S	05 - 12	2474	2405

Please check with the appropriate drawing in shape list!

## RACING BRAKE PADS / APPLICATION LIST RACE CARS

Model	Year	PAGID Racing Pad Shape No.	
		Front	Rear
<b>Porsche</b>			
997 3.8 Carrera GTS	09 - 11	2474	2405
997 all models ceramic brakes	05 - 12	2707	8006
997 GT2 & GT2 RS	07 - 12	2707	8006
997 GT3	07 - 11	2707	8006
997 GT3 Cup [17 mm thick pads]	05 - 12	8003	8008
997 GT3 Cup [19 mm thick pads]	05 - 12	8004	8006
997 GT3 Cup Grand Am spec.	07 - 12	8038	8037
997 GT3 Cup S	08 - 12	8038	8037
997 GT3 RS	07 - 12	2707	8006
997 GT3 RSR	07 - 12	2488	1674
997 GT3 Rally	05 - 12	8003	8006
997 Turbo	06 - 12	2707	8006
718 Boxster 2.0 [982]	16 -	8074	2406
718 Boxster S 2.5 [982]	16 -	8074	2406
Boxster [986]	96 - 05	2407	2406
Boxster [987]	05 - 12	2407	2406
Boxster [987] [ceramic brakes]	05 - 12	2707	2405
Boxster 2.7 [981]	12 -	8074	2406
Boxster GTS 3.4 [981]	14 -	8074	2406
Boxster S [986]	99 - 05	2405	2406
Boxster S [987]	05 - 12	2405	2406
Boxster S 3.4 [981]	12 -	8074	2406
Boxster Spyder [981]	15 -	4922	4918
Carrera GT	04 - 06	2707	2707
Cayenne [cast iron & ceramic brakes]	06 -	4917	4918
Cayenne Turbo [18" wheels]	02 - 10	2845	2406
718 Cayman 2.0 [982]	16 -	8074	2406
718 Cayman S 2.5 [982]	16 -	8074	2406
Cayman [987]	06 - 09	2407	2406
Cayman [987]	09 - 12	2405	2406
Cayman [987] [ceramic brakes]	06 - 12	2707	2405
Cayman 2.7 [981]	13 -	8074	2406
Cayman GT4 [981]	16 -	4924	4925
Cayman GT4 [981] [ceramic brakes]	16 -	4927	4925
Cayman GT4 Clubsport [PFC brakes 22 / 20 mm]	16 -	4920	4921

Please check with the appropriate drawing in shape list!



## RACING BRAKE PADS / APPLICATION LIST RACE CARS

Model	Year	PAGID Racing Pad Shape No.	
		Front	Rear
Cayman GT4 Clubsport [PFC brakes 28 / 26 mm]	16 -	4928	4929
Cayman GT4 MR [PFC brakes 22 / 20 mm]	16 -	4920	4921
Cayman GT4 MR [PFC brakes 28 / 26 mm]	16 -	4928	4929
Cayman GTS 3.4 [981]	14 -	8074	2406
Cayman R [987] (none ceramic)	10 - 12	2405	2406
Cayman S [981] [ceramic brakes]	13 -	4908	2405
Cayman S [987]	06 - 12	2405	2406
Cayman S [ceramic brake caliper with RBD cast iron disc]	13 -	8235	8236
Cayman S 3.4 [981]	13 -	8074	2406
Panamera [cast iron & ceramic brakes]	09 - 16	4917	4909

### Porsche

### Proton

Iriz R5	17 -	1616	1616
---------	------	------	------

### Renault

A310	71 - 83	1703	
Alpine A110 / 1300 / 1600 / R16	73 - 76	1703	
Alpine A110 Cup + GT4	17 -	2488	2704
Clio 1.8 16V & 2.0 16V	91 - 98	3276	1610
Clio 3.0 V6 Turbo Sport	98 - 03	4345	
Clio II 3.0 V6 mid engine	00 - 05	1408	1408
Clio II V6 [race car]	01 - 05	1361	1270
Clio III 2.0 16V Sport	05 - 12	8023	1158
Clio III and IV Cup	16 -	8251	1158
Clio IV R3 Rally	12 -	8251	
Mégane Coach 2.0 16V	96 - 02	1702	1610
Mégane II Renault Sport & Clio Cup	05 - 09	8023	1158
Mégane III 2.0 RS [Brembo brakes] without electronic hand brake	08 - 16	2487	1158
Megane TCR	18 -	1539	1363
R5 Alpine / Alpine Turbo	76 - 84	1703	
RS01 [cast iron brakes]	15 -	8092	4923

Please check with the appropriate drawing in shape list!

## RACING BRAKE PADS / APPLICATION LIST RACE CARS

Model	Year	PAGID Racing Pad Shape No.	
		Front	Rear

### Rover

Healey 3000	61 - 64	8042	
Healey 3000	64 - 67	4905	8041
MG A 1.6 TC	58 - 60	8070	8070
Mini Cooper 10" wheel	63 - 69	1362	
Mini Cooper S 12" wheel	63 - 71	1363	
Spitfire / 1300 TC	67 - 80	3102	
Triumph Spitfire	67 - 80	3102	
Triumph TR4 / TR5	62 - 69	8041	
Triumph TR6	69 - 72	8041	

### Saab

99	67 - 74	4304	4122
----	---------	------	------

### Seat

Ibiza & Toledo 16V	91 - 99	1743	1158
Leon 1.8T Cupra R (Brembo)	03 - 06	1408	1158
Leon 2.8 Cupra 4 (Brembo)	01 - 06	1408	1158
Leon Cup Racer MK3 [race car]	14 -	1539	1363
Leon Cupra Cup MK2 [race car]	07 - 13	4346	1158
Leon Cupra TCR [race car]	15 -	1539	1363
Several		8064	
Toledo 2.3i V5	99 - 04	1678	1158

### Sin Cars

R1	15 -	1903	1903
R1 RS	15 -	1903	1903
R1 GT4	15 -	1903	1903

### Skoda

Fabia R5	14 -	1896	
Fabia R5 Tarmac Rally	14 - 16	1616	1616
Fabia R5 Tarmac Rally	17 -	1616	1616
Fabia RS Rallye S2000	15 -	1616	1616
Octavia 1.8i 20V Turbo	97 - 04	1678	1158
Several		8064	

Please check with the appropriate drawing in shape list!

## RACING BRAKE PADS / APPLICATION LIST RACE CARS

Model	Year	PAGID Racing Pad Shape No.	
		Front	Rear

### Subaru

Impreza 2.5 WRX (System Tokico)	11 -	8174	
STI 3rd & 4th generation	03 - 16	2487	1587
STI 5th generation [6 piston Brembo caliper]	17 -	8005	
WRX STI TCR	16 -	1539	1363
WRX Japan + EU	98 - 03	1406	

### Sunbeam

Alpine	64 - 67	4905	
Tiger	64 - 67	4905	

### Talbot

Simca 1000 Rallye I	69 - 81	4122	
Simca 1000 Rallye II+III	72 - 81	4304	

### Tatuus

F3 [Brembo Caliper]	18 -	1283	1283
---------------------	------	------	------

### Toyota

GT86 2.0 GT (system Tokico)	12 -	8174	8175
GT86 2.0 GT R3 Rally	15 -	1595	3102
Yaris 1.3	06 - 13	4913	
Yaris Cup & MR2 Spyder		8029	

### TVR

Griffith	64 -	4508	1192
----------	------	------	------

### Volvo

Amazone P121S	61 - 69	8042	
P1800	61 - 69	8042	
S60 Turbo R Brembo brakes	03 - 07	2487	1408
V70 R 2.5T Brembo brakes	03 - 07	2487	1408

Please check with the appropriate drawing in shape list!

## RACING BRAKE PADS / APPLICATION LIST RACE CARS

Model	Year	PAGID Racing Pad Shape No.	
		Front	Rear

### VW

Golf 1.1 / 1.3 / 1.6 GTI	75 - 83	4304	
Golf 1.5 / 1.6 / Polo	74 - 78	2723	
Golf III 2.0i GTI 16V & VR6	92 - 96	1743	1158
Golf III 2.0i GTI 16V & VR6	96 - 97	1678	1158
Golf IV 1.8 Turbo & 2.3i V5	97 - 04	1678	1158
Golf IV 2.8i V6	99 - 04	1678	1158
Golf IV 3.2 R32	02 - 05	2830	1158
Golf TCR [race car]	15 -	1539	1363
Golf V 3.2 R32	05 - 08	8064	8046
Golf V GTI (disc Ø 288 mm)	04 - 08	8001	8046
Golf V GTI (disc Ø 345 mm)	04 - 08	8064	8046
Golf VI 2.0R 4motion (disc Ø 345 mm)	09 - 12	8064	8046
Golf VI GTI (disc Ø 312 mm)	09 - 12	8001	4936
Golf VII 2.0 GTI (disc Ø 340 mm) performance brake	13 -	8201	
Golf VII 2.0 R 4motion (disc Ø 340 mm) performance brake	13 -	8201	
Golf VII 2.0 GTI Clubsport	16 -	8201	
Lupo 1.6 GTI	00 - 05	1743	1158
New Beetle 1.8 Turbo 20V	99 - 10	1678	1158
New Beetle 2.3 & 3.2 V6	00 - 03	1678	1158
Polo (6N) 1.3i & 1.4i	94 - 99	4011	
Polo (6N) 1.4i 100 16V	99 - 01	1743	1158
Polo (6N) 1.6 GTI	98 - 01	1743	1158
Polo [MK5] 2.0R WRC [street car]	13 -	8001	1158
Scirocco	73 - 80	2723	
Touareg [ceramic brakes]	08 -	4917	4918

### Wartburg

1.0 / 1.3	66 - 91	8067	
-----------	---------	------	--

Please check with the appropriate drawing in shape list!

## RACING BRAKE PADS / APPLICATION LIST CALIPER

Race Caliper	Pad Thickness	PAGID Racing Pad Shape No.
<b>Alcon</b>		
B type [4441]	16 / 18 / 20 / 22 / 25 mm	1595 / 8267 / 1607 / 8037 / 1674
A type	17 mm	1192
CAR12 [4494]	18 mm	8044
CAR17 [4417]	16.3 mm	8011
CAR23 [4423X650]	15 mm	4916
CAR68 [4423]	16 mm	4912
CAR94, CAR12 [4494]	30 mm	2016
CAR9549 D52	29 mm	2488
CAR9549 D64	29 mm	8100
DP88, TA6+, CAR95 [4495]	26.5 / 29 mm	2688 / 2557
H type [4463] D40 / D44 / D48	16 mm	1749 / 2127 / 1265
K type [4476]	15 / 20 mm	1756 / 2743
Mono4 [PNP4489]	15 mm	8050
Mono6 [4497 X 850] D57	16 mm	8007
Mono6 [4497 x 500]	16 mm	8028
P type [4436]	15.5 / 17.5 mm	8009 / 1203
PNP0084x379	25 mm	8045
PNP4417x550	18 mm	8011
PNP4488	18 mm	8043
PNR4423x600	18 mm	4912
PNR4423x650	15 mm	4916
R5	16 mm	1595
R type D42	14.4 mm	3102
R type [3451] D42 / D48	14.4 mm	3102 / 3190
RC4	16.7 mm	4345
RC6	17 mm	8081
SR, CAR22 [4422] D37	16 mm	8000
SR, CAR22 [4422] D43	16 / 20 mm	1705 / 1283
TA 4, CAR84 [4484]	18 / 22 / 24 mm	1842 / 8090 / 1908
TA6, CAR89, CAR11 [4489] D51	17 / 18 / 25 mm	8018 / 1903 / 1538
TA6, CAR89, CAR11 [4489] D54	18 / 25 / 25 / 28.5 mm	1904 / 1539 / 8245 / 8250
TPC CAR20 [4420] D61	17 / 24 / 28 / 30 mm	8033 / 3277 / 3279 / 3278
TPC CAR26 [4426]	20 / 25 / 28 mm	1896 / 1619 / 1618
XT [4464]	20 / 25 mm	2475 / 8268

## RACING BRAKE PADS / APPLICATION LIST CALIPER

Race Caliper	Pad Thickness	PAGID Racing Pad Shape No.
CP 2270-144 / 145 S4QR CP 2271-182 / 183 S4QR	16.8 mm	1269
CP 2279-400 S4BP	16.6 mm	1361
CP 2361	16 mm	1749 / 1265
CP 2361-96 / 97 S4QR	16 mm	1749
CP 2561-3 S4	16.8 mm	1363
CP 3307-74 / 75 / 76 / 77 S4	16.8 mm	1361
CP 3696-6 E0	10.5 mm	1362
CP2195 D38 LD19	10.5 mm	1362
CP2270 D46	17 mm	1269
CP2279 D50	17 / 20 mm	1361 / 1270
CP2340 D40 / D48	16 mm	1749 / 1265
CP2372 D52	16 mm	8040
CP2382-12/13 E4 + CP2383-12/13 E4	16 mm	8040
CP2399 D43 LD20	15 mm	1363
CP2712 D44	15 mm	8068
CP3215 D40	17 mm	8237
CP3215 D42	17 / 18 mm	2126 / 8261
CP3228-26/27 S4	16 mm	1265 / 1749
CP3345 D44	16 mm	2127
CP3558 D46 / D51 / D54	25 mm	1813 / 1538 / 1539
CP3558 D51 / D54	28.5 mm	8192
CP3714 D54	20 / 25 mm	1267
CP3894 D46 / D51 / D54	18 mm	1852 / 1903 / 1904
CP5045 D61	18 / 22 mm	1842 / 8090
CP5070 D51	17 mm	8018
CP5119 D50	15 mm	1587
CP5510 D43	16 / 20 / 22 mm	1705 / 1283 / 8193
CP5788 D48	20 mm	1896
CP5820 D62	30 mm	2016
CP5850 D61	17.5 / 24 / 28 / 30 mm	8033 / 3277 / 3279 / 3278
CP6070 D49	25 mm	1674

Application Caliper

Please check with the appropriate drawing in shape list!

## RACING BRAKE PADS / APPLICATION LIST CALIPER

Race Caliper	Pad Thickness	PAGID Racing Pad Shape No.
<b>AP Racing</b>		
CP6080 D54	29 mm	2557
CP6210 D51	26 mm	8233
CP6210 D54	25 / 26.5 / 29 / 31 / 32 mm	8222 / 2688 / 2557 / 2558 / 2559
CP6210 D64	30 mm	2560
CP6230 D54	25 / 25 mm	8222 / 8233
CP6268 D62	30 mm	2017
CP6269	25 / 26.5 / 29 / 30 / 30 mm	8222 / 2688 / 2557 / 2560 / 2564
CP6276 D62	30 mm	2019
CP6470 & CP6480 D49	25 mm	1674
CP6600 D55	16.7 mm	4345
CP6627 D51	16.7 mm	8214
CP6766 D50	18 mm	8044
CP6820 D46	16 mm	1617
CP7031 -4S0L / 5S0L D32 (F3 caliper)	16 mm	8060
CP7040 D58	16.7 mm	4346
CP7555 D69	16 mm	8258
CP7600 D46	14.4 / 16 mm	8076 / 4349
CP8250 D41	20 mm	2205
CP8250 D51	20 mm	2206
CP9660 D54	18 mm	1904
CP9665 D54	25 mm	8222

### Baer Brakes

S4	13 mm	1796
6P	15 mm	2213
6S	18 mm	1903

### Brakeman

F1 Tornado	10.5 mm	1362
F2 Tornado	15 mm	1363
F4 Tornado	17 / 20 mm	8195 / 2555

## RACING BRAKE PADS / APPLICATION LIST CALIPER

Race Caliper	Pad Thickness	PAGID Racing Pad Shape No.
<b>Brembo</b>		
"Big Red" [type "132A" family]	18 / 22 / 24 mm	1842 / 8090 / 1908
07.1715. [type "62" family]	15 mm	4304
07.4180. [caliper family E]	15 mm	1587
07.4865. GT (F-40) [caliper family B, H, P]	18 mm	1287
07.5064. [type "100" or B09 family]	16 / 20 / 22 mm	1705 / 1283 / 8193
07.5139. [type "132" or B13 family]	16 / 20 / 22 / 25 / 26.5 / 29 mm	1595 / 1607 / 8037 / 1674 / 2704 / 8191
07.5146. GT (Lotus) [caliper family A, C, F]	15 mm	1408
07.5169. [type "140" or B18 family]	16 / 17 / 20 / 25 / 28 mm	1616 / 8030 / 1896 / 1619 / 1618
07.5684. 8 piston [type "80" family]	20 mm	2053
07.5868. 8 piston	20 / 22 / 26.5 mm	2105
07.6955.1 [type "140C" or B19 family]	17.5 / 24 / 28 / 30 mm	8033 / 3277 / 3279 / 3278
07.7293. 6 piston [type "164" or B24 family]	20 / 22 / 25 / 29 / 31 mm	2687 / 8038 / 8087 / 2488 / 8173
07.7881. 4 piston [type "100A" or B08 family]	16 mm	8000
07.8544 8 piston [caliper family G]	16.5 mm	2931
07.A262.xx F3 [type B10 family]	16 mm	8049
CP 2712 D44	15 mm	8068
Extrema 6 piston	15.25 mm	4580
Extrema 4 piston	15 mm	4581
hp 2 piston 84.7x70	17 mm	8069
hp 4 piston 125x65	15.5 mm	8023
hp 6 piston 165x82	16.4 mm	8005
M4 in combination with 52mm radial disc swept depth	18mm	1287
M4 in combination with 62mm radial disc swept depth	16mm	2487
M6 in combination with 57.5mm radial disc swept depth	16.8mm	8062
M6 in combination with 66mm radial disc swept depth	17mm	8081
M6 in combination with 76mm radial disc swept depth	17mm	8083
M8 [8 pad system i.e. 2 sets of 4931 pads required]	17.5mm	4931
NASCAR front 07.7614 [type "B21" family]	30 mm	2016
NASCAR front 07.7614 bigger version [type "B21" family]	30 mm	2017

Please check with the appropriate drawing in shape list!



## RACING BRAKE PADS / APPLICATION LIST CALIPER

Race Caliper	Pad Thickness	PAGID Racing Pad Shape No.
--------------	---------------	----------------------------

### Brembo

Type "B28" family; 6 piston D64 wide	21 / 25 / 26 / 29 / 31 mm	8102 / 8101 / 8194 / 8100 / 8103
XA3.40.xx 6 piston [type "164B" or "B22" family]	18 mm	8044
XA5.71.L2 6 piston D57.5 [caliper family J, N]	16.8 mm	8062
XA5.71.M2 6 piston D48 [caliper family M]	16.8 mm	8061
XA5.71.xx 6 piston D66	17 mm	8081
XA5.71.xx 6 piston D76	17 mm	8083
XA5.71.xx 6 piston D85	16 mm	8091
XA6.S0.01/02 (F3 caliper)	16 mm	8049
XA6.S0.21/22 HRB version (F3 caliper)	16 mm	8049
XA6.S0.03/04 (F3 caliper)	16 mm	8049
XA6.S0.23/24 HRB version (F3 caliper)	16 mm	8049
XB2.15.11/12 (F3 caliper)	20 mm	1283

### Caparo AP

Racing caliper	16 mm	8078
----------------	-------	------

### Coleman

Series I & II	17 / 20 mm	8195 / 2555
Series III	16 mm	1595
Series IV	18 mm	1903

### Dunlop

07.1715.5	15 mm	4304
1 3/4" Zoll orig. Alfa Romeo Parts Nr. 105142205200	17 mm	8056
2 1/8" Zoll orig. Jaguar Parts Nr. VBO 5370	17 mm	8070

### Kelsey Hayes

1 3/4" Zoll orig. Jaguar Parts Nr. VBO 5375	17 mm	8071
---	-------	------

### Lockheed

Mustang Mk1 / T5 / 289 GT	18 mm	8086
LD-19	10.5 mm	1362

## RACING BRAKE PADS / APPLICATION LIST CALIPER

Race Caliper	Pad Thickness	PAGID Racing Pad Shape No.
--------------	---------------	----------------------------

### Lucas-Girling

16 / 4	17.5 mm	1203
14LF	14.4 mm	3190
14LF & D14R	14.4 mm	3102
16 / 4	24 mm	1916
18 / 4 RRS-19 & 18 / 4 RRS-25	20 mm	1267
AR 3	17.5 mm	8032
AR 5	17 / 20 mm	1192 / 1193
BR & B Type MK5	20 mm	4508
CR Caliper	24 mm	1195
D 12 / 14 R	14.4 mm	3102
Girling 3C & C-Type	18.5 mm	1191
LD-20	15 mm	1363
Lucas-Girling 12/3 WVA 20007	15.5 mm	8041
Lucas-Girling 17/3 WVA 20027	16 mm	8042
M16	15.5 mm	4905
NR	17.5 mm	8055
SL 38 / 43	17 mm	1361

### Outlaw

1000 / 1500	12 mm	1809USA
2000 / 2500	13 mm	1796
3000 / 3500 / 4000	17 / 20 mm	8195 / 2555

### PFC

ZR20 [Formula 3]	15.5 mm	8034
ZR22 4 piston	28.5 mm	8093
ZR27 4 piston (BMW M235i Racing)	27 mm	8197
ZR53 6 piston [D52]	29 mm	4923
ZR53 6 piston [D59.5]	29 mm	8092
ZR88	18 mm	8251

Please check with the appropriate drawing in shape list!

## RACING BRAKE PADS / APPLICATION LIST CALIPER

Race Caliper	Pad Thickness	PAGID Racing Pad Shape No.
--------------	---------------	----------------------------

### StopTech

ST21	15 mm	4304
ST22	15 mm	1587
ST40	18 mm	1204
ST43 standard annulus	20 mm	2205
ST43 wide annulus	20 mm	2206
ST60	18 mm	1903
STR GT	17.5 / 24 / 28 / 30 mm	8033 / 3277 / 3279 / 3278

### Wilwood

Dynalite Centre Pin	13 mm	1796
Dynalite Single	12 mm	1809USA
Dynalite Pro 7816	16 mm	2581USA
GM Metric [D154]	15 mm	1594USA
GMII, GMIII [D52]	15 mm	1595USA
GN	20 / 25 mm	1798USA
GT 4000	20 mm	1607
Integra HP	24 mm	3277
Integra IP	25 mm	1619
IR - GT	20 mm	1283
NDL	16 mm	1712USA
Superlite	20 mm	2555
Superlite bridge bolt D43	17 / 20 mm	8195 / 2205
Superlite bridge bolt D51	20 mm	2206



More applications and compounds on inquiry

## SHAPE LIST

<b>Shape No.:</b> 1141	<b>Thickness:</b> 17 mm					
Information:	BMW rear					
Compounds:	<b>RSL 19</b>					
Related Shape No. :	-	-	-	-	-	-
Thickness (mm) :	-	-	-	-	-	-

<b>Shape No.:</b> 1144	<b>Thickness:</b> 19.5 mm					
Information:	BMW M3 E30 front					
Compounds:	<b>RSL 29</b> <b>RS 42</b>					
Related Shape No. :	-	-	-	-	-	-
Thickness (mm) :	-	-	-	-	-	-

<b>Shape No.:</b> 1146	<b>Thickness:</b> 15.5 mm					
Information:	-					
Compounds:	on inquiry					
Related Shape No. :	-	-	-	-	-	-
Thickness (mm) :	-	-	-	-	-	-

<b>Shape No.:</b> 1151	<b>Thickness:</b> 13.5 mm					
Information:	-					
Compounds:	<b>RSH 42</b>					
Related Shape No. :	1177	-	-	-	-	-
Thickness (mm) :	15.5	-	-	-	-	-

<b>Shape No.:</b> 1158	<b>Thickness:</b> 15 mm					
Information:	Audi / VW rear					
Compounds:	<b>RSL 19</b> <b>RSL 29</b> <b>RS 14</b> <b>RS 42</b> <b>RS 44</b>					
Related Shape No. :	-	-	-	-	-	-
Thickness (mm) :	-	-	-	-	-	-

<b>Shape No.:</b> 1163	<b>Thickness:</b> 13.7 mm					
Information:	Caterham					
Compounds:	<b>RS 14</b> <b>RS 42</b>					
Related Shape No. :	-	-	-	-	-	-
Thickness (mm) :	-	-	-	-	-	-

Shape List

Illustrations are for identification purpose only. The right of modification in construction, design or model application is reserved. Even if shown in the drawing, accessories such as clips, springs, rivets, wear indicators, damping shims etc. are generally not part of PAGID Racing pads.

## SHAPE LIST

More applications and compounds on inquiry

<b>Shape No.: 1177</b>		<b>Thickness: 15.5 mm</b>				
Information: Opel						
Compounds: <b>RSH 42</b>						
Related Shape No. :	1151	-	-	-	-	-
Thickness (mm) :	13.5	-	-	-	-	-

<b>Shape No.: 1190</b>		<b>Thickness: 19 mm</b>				
Information: -						
Compounds: <b>RSH 29E</b>						
Related Shape No. :	-	-	-	-	-	-
Thickness (mm) :	-	-	-	-	-	-

<b>Shape No.: 1191</b>		<b>Thickness: 18.5 mm</b>				
Information: -						
Compounds: <b>RSH 3 RSH 29E RSH 42</b>						
Related Shape No. :	1195	-	-	-	-	-
Thickness (mm) :	24	-	-	-	-	-

<b>Shape No.: 1192</b>		<b>Thickness: 17 mm</b>				
Information: -						
Compounds: <b>RSH 3 RSH 29E RSH 42</b>						
Related Shape No. :	1193	-	-	-	-	-
Thickness (mm) :	20	-	-	-	-	-

<b>Shape No.: 1193</b>		<b>Thickness: 20 mm</b>				
Information: -						
Compounds: <b>RSH 29E</b>						
Related Shape No. :	1192	-	-	-	-	-
Thickness (mm) :	17	-	-	-	-	-

<b>Shape No.: 1195</b>		<b>Thickness: 24 mm</b>				
Information: -						
Compounds: <b>RSH 3 RSH 29E</b>						
Related Shape No. :	1191	-	-	-	-	-
Thickness (mm) :	18.5	-	-	-	-	-

Illustrations are for identification purpose only. The right of modification in construction, design or model application is reserved. Even if shown in the drawing, accessories such as clips, springs, rivets, wear indicators, damping shims etc. are generally not part of PAGID Racing pads.

More applications and compounds on inquiry

## SHAPE LIST

<b>Shape No.: 1196</b>	<b>Thickness: 23 mm</b>					
Information:	BMW M1 Procar					
Compounds:	<b>RST 2</b>					
Related Shape No. :	-	-	-	-	-	-
Thickness (mm) :	-	-	-	-	-	-



<b>Shape No.: 1203</b>	<b>Thickness: 17.5 mm</b>					
Information:	Alcon / Ferrari / Lucas-Girling / Maserati / Porsche					
Compounds:	<b>RSL 19</b>	<b>RSL 29</b>	<b>RST 3</b>	<b>RST 4</b>	<b>RS 14</b>	
					<b>RS 42</b>	<b>RS 44</b>
Related Shape No. :	1916	8009	-	-	-	-
Thickness (mm) :	24	15.5	-	-	-	-

<b>Shape No.: 1204</b>	<b>Thickness: 18 mm</b>					
Information:	Porsche / StopTech					
Compounds:	<b>RSL 19</b>	<b>RSL 29</b>	<b>RST 3</b>	<b>RS 14</b>	<b>RS 42</b>	
					<b>RS 44</b>	
Related Shape No. :	-	-	-	-	-	-
Thickness (mm) :	-	-	-	-	-	-

<b>Shape No.: 1265</b>	<b>Thickness: 16 mm</b>					
Information:	Alcon / AP Racing / Caterham					
Compounds:	<b>RSL 29</b>	<b>RST 1</b>	<b>RST 2</b>	<b>RST 5</b>	<b>RSH 3</b>	
					<b>RSH 42</b>	
Related Shape No. :	-	-	-	-	-	-
Thickness (mm) :	-	-	-	-	-	-

<b>Shape No.: 1267</b>	<b>Thickness: 20 mm</b>					
Information:	AP Racing / Lucas-Girling					
Compounds:	<b>RSL 19</b>					
Related Shape No. :	-	-	-	-	-	-
Thickness (mm) :	-	-	-	-	-	-

Illustrations are for identification purpose only. The right of modification in construction, design or model application is reserved. Even if shown in the drawing, accessories such as clips, springs, rivets, wear indicators, damping shims etc. are generally not part of PAGID Racing pads.



More applications and compounds on inquiry

Shape No.: 1269		Thickness: 17 mm				
Information: AP Racing						
Compounds:	RSL 29	RST 1	RST 2	RST 4	RSH 3	RSH 42
Related Shape No.:	-	-	-	-	-	-
Thickness (mm):	-	-	-	-	-	-

Shape No.: 1270		Thickness: 20 mm				
Information: AP Racing / BMW / Chevrolet						
Compounds:	RSL 1	RSL 29	RS 42	RST 1	RST 2	RST 3
Related Shape No.:	1361	-	-	-	-	-
Thickness (mm):	17	-	-	-	-	-



More applications and compounds on inquiry

<b>Shape No.:</b> 1276	<b>Thickness:</b> 19.5 mm					
Information:	Audi					
Compounds:	<b>RSL 29</b>	<b>RS 42</b>				
Related Shape No. :	-	-	-	-	-	-
Thickness (mm) :	-	-	-	-	-	-

<b>Shape No.:</b> 1283	<b>Thickness:</b> 20 mm					
Information:	Alcon / AP Racing / Brembo					
Compounds:	<b>RST 1</b>	<b>RST 2</b>	<b>RST 3</b>	<b>RST 4</b>	<b>RST 5</b>	
				<b>RS 42</b>	<b>RS 44</b>	
Related Shape No. :	1705	8193	-	-	-	-
Thickness (mm) :	16	22	-	-	-	-

<b>Shape No.:</b> 1285	<b>Thickness:</b> 16.8 mm					
Information:	BMW rear					
Compounds:	<b>RSL 1</b>	<b>RSL 29</b>	<b>RST 4</b>	<b>RS 14</b>	<b>RS 42</b>	
					<b>RS 44</b>	
Related Shape No. :	-	-	-	-	-	-
Thickness (mm) :	-	-	-	-	-	-

<b>Shape No.:</b> 1287	<b>Thickness:</b> 18 mm					
Information:	Brembo					
Compounds:	<b>RSL 1</b>	<b>RSL 29</b>	<b>RS 14</b>	<b>RS 42</b>	<b>RS 44</b>	
	<b>RST 1</b>	<b>RST 2</b>	<b>RST 3</b>	<b>RST 4</b>	<b>RSC 1</b>	<b>RSC 3</b>
Related Shape No. :	-	-	-	-	-	-
Thickness (mm) :	-	-	-	-	-	-

<b>Shape No.:</b> 1288	<b>Thickness:</b> 17.5 mm					
Information:	Opel					
Compounds:	<b>RS 42</b>					
Related Shape No. :	-	-	-	-	-	-
Thickness (mm) :	-	-	-	-	-	-

<b>Shape No.:</b> 1291	<b>Thickness:</b> 17.8 mm					
Information:	BMW front					
Compounds:	<b>RSH 29E</b>					
Related Shape No. :	-	-	-	-	-	-
Thickness (mm) :	-	-	-	-	-	-

Shape List

Illustrations are for identification purpose only. The right of modification in construction, design or model application is reserved. Even if shown in the drawing, accessories such as clips, springs, rivets, wear indicators, damping shims etc. are generally not part of PAGID Racing pads.





More applications and compounds on inquiry

## SHAPE LIST

<b>Shape No.:</b> 1295	<b>Thickness:</b> 19.5 mm					
Information:	Alfa Romeo / BMW					
Compounds:	RSL 1	RSL 29	RS 14	RS 42		
	RST 1	RST 2	RST 3	RS 44		
Related Shape No. :	-	-	-	-	-	-
Thickness (mm) :	-	-	-	-	-	-

<b>Shape No.:</b> 1323	<b>Thickness:</b> 14.5 mm					
Information:	-					
Compounds:	on inquiry					
Related Shape No. :	-	-	-	-	-	-
Thickness (mm) :	-	-	-	-	-	-

<b>Shape No.:</b> 1361	<b>Thickness:</b> 17 mm					
Information:	AP Racing / Lucas-Girling					
Compounds:	RSL 1	RSL 29	RS 14	RSH 42		
	RST 1	RST 2	RST 3	RST 4	RST 5	
Related Shape No. :	1270	-	-	-	-	-
Thickness (mm) :	20	-	-	-	-	-

<b>Shape No.:</b> 1362	<b>Thickness:</b> 10.5 mm					
Information:	AP Racing / Formula Ford					
Compounds:	RSH 3	RSH 42				
Related Shape No. :	-	-	-	-	-	-
Thickness (mm) :	-	-	-	-	-	-

<b>Shape No.:</b> 1363	<b>Thickness:</b> 15 mm					
Information:	AP Racing / Formula Ford					
Compounds:	RSL 2	RSL 29	RST 2	RST 4	RSH 42	
				RS 14	RS 44	
Related Shape No. :	-	-	-	-	-	-
Thickness (mm) :	-	-	-	-	-	-

<b>Shape No.:</b> 1406	<b>Thickness:</b> 14.5 mm					
Information:	Mitsubishi / Nissan / Subaru					
Compounds:	RSL 1	RSL 29	RST 3	RS 14	RS 42	
Related Shape No. :	-	-	-	-	-	-
Thickness (mm) :	-	-	-	-	-	-

Illustrations are for identification purpose only. The right of modification in construction, design or model application is reserved. Even if shown in the drawing, accessories such as clips, springs, rivets, wear indicators, damping shims etc. are generally not part of PAGID Racing pads.



## SHAPE LIST

More applications and compounds on inquiry

<b>Shape No.:</b> 1408	<b>Thickness:</b> 15 mm					
Information:	Brembo / Ferrari					
Compounds:	RSL 1	RSL 29	RS 14	RS 42	RS 44	
			RST 1	RST 3	RSC 1	
Related Shape No. :	-	-	-	-	-	-
Thickness (mm) :	-	-	-	-	-	-

<b>Shape No.:</b> 1427	<b>Thickness:</b> 17.2 mm					
Information:	BMW / Nissan					
Compounds:	RSL 1	RSL 29	RST 3	RS 42	RS 44	
Related Shape No. :	-	-	-	-	-	-
Thickness (mm) :	-	-	-	-	-	-

<b>Shape No.:</b> 1538	<b>Thickness:</b> 25 mm					
Information:	Alcon / AP Racing / StopTech					
Compounds:	RSL 19	RSL 29	RST 1	RST 3		
Related Shape No. :	1903	8018	8192	-	-	-
Thickness (mm) :	18	17	28,5	-	-	-

<b>Shape No.:</b> 1539	<b>Thickness:</b> 25 mm					
Information:	Alcon / AP Racing					
Compounds:	RSL 1	RSL 2	RSL 29	RS 42		
	RST 1	RST 2	RST 3	RST 4	RST 5	
Related Shape No. :	1904	8250	-	-	-	-
Thickness (mm) :	18	28,5	-	-	-	-

<b>Shape No.:</b> 1544	<b>Thickness:</b> 17.5 mm					
Information:	BMW / Citroen					
Compounds:	RSL 29	RS 44				
Related Shape No. :	-	-	-	-	-	-
Thickness (mm) :	-	-	-	-	-	-

<b>Shape No.:</b> 1580	<b>Thickness:</b> 14.5 mm					
Information:	Porsche					
Compounds:	RS 42					
Related Shape No. :	-	-	-	-	-	-
Thickness (mm) :	-	-	-	-	-	-

Illustrations are for identification purpose only. The right of modification in construction, design or model application is reserved. Even if shown in the drawing, accessories such as clips, springs, rivets, wear indicators, damping shims etc. are generally not part of PAGID Racing pads.

More applications and compounds on inquiry

## SHAPE LIST

<b>Shape No.: 1587</b>	<b>Thickness: 15 mm</b>					
Information:	AP Racing / Brembo / StopTech					
Compounds:	<b>RSL 19</b>	<b>RSL 29</b>	<b>RST 3</b>	<b>RST 4</b>	<b>RS 14</b>	
				<b>RS 42</b>	<b>RS 44</b>	
Related Shape No. :	-	-	-	-	-	-
Thickness (mm) :	-	-	-	-	-	-

<b>Shape No.: 1591</b>	<b>Thickness: 15.6 mm</b>					
Information:	Mitsubishi					
Compounds:	<b>RS 42</b>					
Related Shape No. :	-	-	-	-	-	-
Thickness (mm) :	-	-	-	-	-	-

<b>Shape No.: 1594USA</b>	<b>Thickness: 15 mm</b>					
Information:	GM Intermediate					
Compounds:	on inquiry					
Related Shape No. :	-	-	-	-	-	-
Thickness (mm) :	-	-	-	-	-	-

<b>Shape No.: 1595USA</b>	<b>Thickness: 15 mm</b>					
Information:	GM Metric					
Compounds:	on inquiry					
Related Shape No. :	-	-	-	-	-	-
Thickness (mm) :	-	-	-	-	-	-

Illustrations are for identification purpose only. The right of modification in construction, design or model application is reserved. Even if shown in the drawing, accessories such as clips, springs, rivets, wear indicators, damping shims etc. are generally not part of PAGID Racing pads.

## SHAPE LIST

More applications and compounds on inquiry

<b>Shape No.: 1595</b>		<b>Thickness: 16 mm</b>				
Information: Alcon / Brembo / AP Racing						
Compounds:	<b>RSL 1</b>	<b>RSL 19</b>	<b>RSL 29</b>	<b>RS 14</b>	<b>RS 42</b>	
	<b>RST 1</b>	<b>RST 2</b>	<b>RST 3</b>	<b>RST 4</b>	<b>RS 44</b>	
	<b>RST 5</b>					
Related Shape No. :	1607	1674	2704	8037	8191	8267
Thickness (mm) :	20	25	26.5	22	29	18

<b>Shape No.: 1607</b>		<b>Thickness: 20 mm</b>				
Information: Alcon / Brembo / Wilwood						
Compounds:	<b>RSL 1</b>	<b>RSL 29</b>	<b>RS 14</b>	<b>RS 42</b>		
	<b>RST 1</b>	<b>RST 2</b>	<b>RST 3</b>	<b>RST 5</b>		
Related Shape No. :	1595	1674	2704	8037	8191	8267
Thickness (mm) :	16	25	26.5	22	29	18

<b>Shape No.: 1610</b>		<b>Thickness: 12 mm</b>				
Information: Citroen / Peugeot / Renault rear						
Compounds:	<b>RS 42</b>					
Related Shape No. :	-	-	-	-	-	-
Thickness (mm) :	-	-	-	-	-	-

<b>Shape No.: 1616</b>		<b>Thickness: 16 mm</b>				
Information: Brembo / Ford / Skoda						
Compounds:	<b>RST 1</b>	<b>RST 2</b>	<b>RST 3</b>	<b>RST 5</b>		
Related Shape No. :	1618	1619	1896	8030	-	-
Thickness (mm) :	28	26	20	17	-	-

<b>Shape No.: 1617</b>		<b>Thickness: 16 mm</b>				
Information: AP Racing / Ford						
Compounds:	<b>RST 1</b>	<b>RST 3</b>	<b>RST 5</b>			
Related Shape No. :	-	-	-	-	-	-
Thickness (mm) :	-	-	-	-	-	-

<b>Shape No.: 1618</b>		<b>Thickness: 28 mm</b>				
Information: Alcon / Brembo						
Compounds:	<b>RSL 1</b>	<b>RSL 29</b>				
Related Shape No. :	1616	1619	1896	8030	-	-
Thickness (mm) :	16	26	20	17	-	-

Illustrations are for identification purpose only. The right of modification in construction, design or model application is reserved. Even if shown in the drawing, accessories such as clips, springs, rivets, wear indicators, damping shims etc. are generally not part of PAGID Racing pads.

More applications and compounds on inquiry

## SHAPE LIST

<b>Shape No.: 1619</b>		<b>Thickness: 26 mm</b>				
Information: Alcon / Brembo / Wilwood						
Compounds: <b>RSL 1</b> <b>RST 1</b> <b>RST 3</b>						
Related Shape No. :	1616	1618	1896	8030	-	-
Thickness (mm) :	16	28	20	17	-	-

<b>Shape No.: 1620</b>		<b>Thickness: 16.5 mm</b>				
Information: Opel						
Compounds: <b>RST 3</b> <b>RS 42</b>						
Related Shape No. :	-	-	-	-	-	-
Thickness (mm) :	-	-	-	-	-	-

<b>Shape No.: 1674</b>		<b>Thickness: 25 mm</b>				
Information: Alcon / AP Racing / Brembo						
Compounds: <b>RSL 1</b> <b>RSL 2</b> <b>RSL 19</b> <b>RSL 29</b> <b>RSL D1</b> <b>RST 1</b> <b>RST 2</b> <b>RST 3</b> <b>RST 4</b> <b>RST D1</b> <b>RS 44</b>						
Related Shape No. :	1595	1607	2704	8037	8191	8267
Thickness (mm) :	16	20	26.5	22	29	18

<b>Shape No.: 1678</b>		<b>Thickness: 19.5 mm</b>				
Information: Audi / Seat / Skoda / VW						
Compounds: <b>RS 42</b>						
Related Shape No. :	-	-	-	-	-	-
Thickness (mm) :	-	-	-	-	-	-

<b>Shape No.: 1682</b>		<b>Thickness: 13 mm</b>				
Information: Dodge / Lotus / Opel						
Compounds: <b>RST 3</b> <b>RS 14</b> <b>RS 42</b>						
Related Shape No. :	-	-	-	-	-	-
Thickness (mm) :	-	-	-	-	-	-

<b>Shape No.: 1702</b>		<b>Thickness: 19 mm</b>				
Information: Renault						
Compounds: <b>RSL 29</b> <b>RST 3</b> <b>RS 14</b> <b>RS 42</b>						
Related Shape No. :	-	-	-	-	-	-
Thickness (mm) :	-	-	-	-	-	-

Illustrations are for identification purpose only. The right of modification in construction, design or model application is reserved. Even if shown in the drawing, accessories such as clips, springs, rivets, wear indicators, damping shims etc. are generally not part of PAGID Racing pads.

## SHAPE LIST

More applications and compounds on inquiry

<b>Shape No.:</b> 1703	<b>Thickness:</b> 12 mm					
Information:	-					
Compounds:	<b>RSH 42</b>					
Related Shape No.:	-	-	-	-	-	-
Thickness (mm):	-	-	-	-	-	-

<b>Shape No.:</b> 1705	<b>Thickness:</b> 16 mm					
Information:	Alcon / AP Racing / Brembo					
Compounds:	<b>RSL 29</b>	<b>RST 1</b>	<b>RST 3</b>	<b>RST 5</b>	<b>RS 14</b>	
Related Shape No.:	1283	8193	-	-	-	-
Thickness (mm):	20	22	-	-	-	-

<b>Shape No.:</b> 1712USA	<b>Thickness:</b> 16 mm					
Information:	Wilwood					
Compounds:	on inquiry					
Related Shape No.:	-	-	-	-	-	-
Thickness (mm):	-	-	-	-	-	-

<b>Shape No.:</b> 1743	<b>Thickness:</b> 16 mm					
Information:	Seat / VW					
Compounds:	<b>RS 14</b>		<b>RS 42</b>			
Related Shape No.:	-	-	-	-	-	-
Thickness (mm):	-	-	-	-	-	-

<b>Shape No.:</b> 1744	<b>Thickness:</b> 19.5 mm					
Information:	-					
Compounds:	<b>RSH 29E</b>		<b>RSH 42</b>			
Related Shape No.:	-	-	-	-	-	-
Thickness (mm):	-	-	-	-	-	-

<b>Shape No.:</b> 1749	<b>Thickness:</b> 16 mm					
Information:	Alcon / AP Racing					
Compounds:	<b>RSL 2</b>	<b>RST 1</b>	<b>RST 2</b>	<b>RST 4</b>	<b>RST 5</b>	
	<b>RSL 29</b>	<b>RSH 3</b>	<b>RSH 42</b>			
Related Shape No.:	-	-	-	-	-	-
Thickness (mm):	-	-	-	-	-	-

Illustrations are for identification purpose only. The right of modification in construction, design or model application is reserved. Even if shown in the drawing, accessories such as clips, springs, rivets, wear indicators, damping shims etc. are generally not part of PAGID Racing pads.

More applications and compounds on inquiry

## SHAPE LIST

<b>Shape No.: 1756</b>		<b>Thickness: 20 mm</b>				
Information: Alcon						
Compounds: <b>RSL 29</b>						
Related Shape No. :	2743	-	-	-	-	-
Thickness (mm) :	15	-	-	-	-	-

<b>Shape No.: 1796</b>		<b>Thickness: 13 mm</b>				
Information: Outlaw / Wilwood						
Compounds: <b>RSL 29</b> <b>RS 42</b>						
Related Shape No. :	-	-	-	-	-	-
Thickness (mm) :	-	-	-	-	-	-

<b>Shape No.: 1798USA</b>		<b>Thickness: 20 mm</b>				
Information: Wilwood						
Compounds: on inquiry						
Related Shape No. :	-	-	-	-	-	-
Thickness (mm) :	-	-	-	-	-	-

<b>Shape No.: 1809USA</b>		<b>Thickness: 12 mm</b>				
Information: Wilwood						
Compounds: on inquiry						
Related Shape No. :	-	-	-	-	-	-
Thickness (mm) :	-	-	-	-	-	-

<b>Shape No.: 1813</b>		<b>Thickness: 25 mm</b>				
Information: AP Racing						
Compounds: <b>RSL 1</b> <b>RST D1</b>						
Related Shape No. :	1852	-	-	-	-	-
Thickness (mm) :	18	-	-	-	-	-

<b>Shape No.: 1842</b>		<b>Thickness: 18 mm</b>				
Information: Alcon / AP Racing / Audi / Brembo / Porsche						
Compounds: <b>RSL 1</b> <b>RSL 19</b> <b>RSL 29</b> <b>RST 3</b> <b>RS 14</b> <b>RS 42</b> <b>RS 44</b>						
Related Shape No. :	1908	8090	-	-	-	-
Thickness (mm) :	24	22	-	-	-	-

Illustrations are for identification purpose only. The right of modification in construction, design or model application is reserved. Even if shown in the drawing, accessories such as clips, springs, rivets, wear indicators, damping shims etc. are generally not part of PAGID Racing pads.



# SHAPE LIST

More applications and compounds on inquiry

<b>Shape No.: 1852</b>		<b>Thickness: 18 mm</b>				
Information: AP Racing						
Compounds: <b>RSL 29</b> <b>RST 3</b>						
Related Shape No. :	1813	-	-	-	-	-
Thickness (mm) :	25	-	-	-	-	-

<b>Shape No.: 1896</b>		<b>Thickness: 20 mm</b>				
Information: Alcon / AP Racing / Brembo / Ferrari						
Compounds: <b>RSL 1</b> <b>RSL 29</b> <b>RS 14</b> <b>RST 1</b> <b>RST 2</b> <b>RST 3</b> <b>RST 5</b>						
Related Shape No. :	1616	1618	1619	8030	-	-
Thickness (mm) :	16	28	26	17	-	-

<b>Shape No.: 1897</b>		<b>Thickness: 14.5 mm</b>				
Information: Mitsubishi						
Compounds: <b>RS 42</b>						
Related Shape No. :	-	-	-	-	-	-
Thickness (mm) :	-	-	-	-	-	-

<b>Shape No.: 1903</b>		<b>Thickness: 18 mm</b>				
Information: Alcon / AP Racing / Coleman / StopTech						
Compounds: <b>RSL 1</b> <b>RSL 2</b> <b>RSL 29</b> <b>RS 14</b> <b>RS 42</b> <b>RST 1</b> <b>RST 3</b> <b>RST 4</b> <b>RSC 1</b>						
Related Shape No. :	1538	8018	8192	-	-	-
Thickness (mm) :	25	17	28,5	-	-	-

<b>Shape No.: 1904</b>		<b>Thickness: 18 mm</b>				
Information: Alcon / AP Racing / Honda (Acura) / Mitsubishi						
Compounds: <b>RSL 1</b> <b>RSL 19</b> <b>RSL 29</b> <b>RST 1</b> <b>RST 3</b> <b>RST 5</b>						
Related Shape No. :	8245	8250	-	-	-	-
Thickness (mm) :	25	28.5	-	-	-	-

<b>Shape No.: 1908</b>		<b>Thickness: 24 mm</b>				
Information: Alcon / Brembo / Porsche						
Compounds: <b>RSL 1</b> <b>RSL 29</b> <b>RST 3</b>						
Related Shape No. :	1842	8090	-	-	-	-
Thickness (mm) :	18	22	-	-	-	-

Illustrations are for identification purpose only. The right of modification in construction, design or model application is reserved. Even if shown in the drawing, accessories such as clips, springs, rivets, wear indicators, damping shims etc. are generally not part of PAGID Racing pads.

More applications and compounds on inquiry

## SHAPE LIST

<b>Shape No.: 1916</b>		<b>Thickness: 24 mm</b>				
Information: Alcon / Porsche						
Compounds: <b>RSH 29E</b> <b>RSH 42</b>						
Related Shape No. :	1203	8009	-	-	-	-
Thickness (mm) :	17.5	15.5	-	-	-	-

<b>Shape No.: 2016</b>		<b>Thickness: 30 mm</b>				
Information: Alcon / AP Racing / Brembo						
Compounds: on inquiry						
Related Shape No. :	-	-	-	-	-	-
Thickness (mm) :	-	-	-	-	-	-

<b>Shape No.: 2017</b>		<b>Thickness: 30 mm</b>				
Information: AP Racing / Bentley / Brembo / Chevrolet						
Compounds: <b>RSL 1</b> <b>RST 1</b> <b>RST 3</b>						
Related Shape No. :	-	-	-	-	-	-
Thickness (mm) :	-	-	-	-	-	-

<b>Shape No.: 2019</b>		<b>Thickness: 30 mm</b>				
Information: AP Racing / BMW						
Compounds: <b>RSL 1</b> <b>RST 1</b> <b>RST 5</b>						
Related Shape No. :	-	-	-	-	-	-
Thickness (mm) :	-	-	-	-	-	-

<b>Shape No.: 2053</b>		<b>Thickness: 20 mm</b>				
Information: Brembo						
Compounds: on inquiry						
Related Shape No. :	-	-	-	-	-	-
Thickness (mm) :	-	-	-	-	-	-

<b>Shape No.: 2105</b>		<b>Thickness: 22 mm</b>				
Information: Brembo						
Compounds: on inquiry						
Related Shape No. :	-	-	-	-	-	-
Thickness (mm) :	-	-	-	-	-	-

Illustrations are for identification purpose only. The right of modification in construction, design or model application is reserved. Even if shown in the drawing, accessories such as clips, springs, rivets, wear indicators, damping shims etc. are generally not part of PAGID Racing pads.

## SHAPE LIST

More applications and compounds on inquiry

<b>Shape No.: 2126</b>		<b>Thickness: 17 mm</b>				
Information: AP Racing						
Compounds:	<b>RSL 1</b>	<b>RSL 29</b>	<b>RST 1</b>	<b>RST 3</b>	<b>RST 5</b>	<b>RS 42</b>
Related Shape No. :	8216	-	-	-	-	-
Thickness (mm) :	18	-	-	-	-	-

<b>Shape No.: 2127</b>		<b>Thickness: 16 mm</b>				
Information: Alcon / AP Racing						
Compounds:	<b>RSL 1</b>	<b>RSL 29</b>	<b>RST 3</b>	<b>RST 4</b>	<b>RST 5</b>	<b>RS 14</b> <b>RS 42</b>
Related Shape No. :	-	-	-	-	-	-
Thickness (mm) :	-	-	-	-	-	-

<b>Shape No.: 2180</b>		<b>Thickness: 17.2 mm</b>				
Information: BMW						
Compounds:	<b>RSL 29</b>	<b>RST 1</b>	<b>RST 3</b>			
Related Shape No. :	-	-	-	-	-	-
Thickness (mm) :	-	-	-	-	-	-

<b>Shape No.: 2205</b>		<b>Thickness: 20 mm</b>				
Information: AP / Wilwood						
Compounds:	<b>RST 1</b>					
Related Shape No. :	8195	-	-	-	-	-
Thickness (mm) :	17	-	-	-	-	-

<b>Shape No.: 2206</b>		<b>Thickness: 20 mm</b>				
Information: AP Racing / StopTech / Wilwood						
Compounds:	<b>RSL 29</b>	<b>RST 1</b>	<b>RST 3</b>			
Related Shape No. :	-	-	-	-	-	-
Thickness (mm) :	-	-	-	-	-	-

<b>Shape No.: 2213</b>		<b>Thickness: 15 mm</b>				
Information: Corvette C5 / C6 base						
Compounds:	<b>RSL 29</b>					
Related Shape No. :	-	-	-	-	-	-
Thickness (mm) :	-	-	-	-	-	-

Illustrations are for identification purpose only. The right of modification in construction, design or model application is reserved. Even if shown in the drawing, accessories such as clips, springs, rivets, wear indicators, damping shims etc. are generally not part of PAGID Racing pads.

Shape List

More applications and compounds on inquiry

## SHAPE LIST

<b>Shape No.:</b> 2275	<b>Thickness:</b> 19.5 mm					
Information:	Opel					
Compounds:	<b>RSL 29</b>					
Related Shape No. :	-	-	-	-	-	-
Thickness (mm) :	-	-	-	-	-	-

<b>Shape No.:</b> 2388	<b>Thickness:</b> 18.5 mm					
Information:	Citroen, Peugeot					
Compounds:	on inquiry					
Related Shape No. :	-	-	-	-	-	-
Thickness (mm) :	-	-	-	-	-	-

<b>Shape No.:</b> 2405	<b>Thickness:</b> 18.5 mm					
Information:	Porsche					
Compounds:	<b>RSL 1</b>	<b>RSL 19</b>	<b>RSL 29</b>	<b>RST 3</b>	<b>RST 4</b>	
		<b>RS 14</b>	<b>RS 42</b>	<b>RS 44</b>	<b>RSC 1</b>	
Related Shape No. :	-	-	-	-	-	-
Thickness (mm) :	-	-	-	-	-	-

<b>Shape No.:</b> 2406	<b>Thickness:</b> 15.5 mm					
Information:	Porsche					
Compounds:	<b>RSL 1</b>	<b>RSL 19</b>	<b>RSL 29</b>	<b>RST 3</b>	<b>RS 14</b>	
				<b>RS 42</b>	<b>RS 44</b>	
Related Shape No. :	-	-	-	-	-	-
Thickness (mm) :	-	-	-	-	-	-

<b>Shape No.:</b> 2407	<b>Thickness:</b> 15.5 mm					
Information:	Porsche					
Compounds:	<b>RSL 29</b>	<b>RST 3</b>	<b>RS 14</b>	<b>RS 42</b>	<b>RS 44</b>	
Related Shape No. :	-	-	-	-	-	-
Thickness (mm) :	-	-	-	-	-	-

<b>Shape No.:</b> 2445	<b>Thickness:</b> 15.5 mm					
Information:	Mitsubishi					
Compounds:	<b>RS 42</b>					
Related Shape No. :	-	-	-	-	-	-
Thickness (mm) :	-	-	-	-	-	-

Shape List

Illustrations are for identification purpose only. The right of modification in construction, design or model application is reserved. Even if shown in the drawing, accessories such as clips, springs, rivets, wear indicators, damping shims etc. are generally not part of PAGID Racing pads.

## SHAPE LIST

More applications and compounds on inquiry

<b>Shape No.:</b> 2474	<b>Thickness:</b> 18.5 mm					
Information:	Porsche					
Compounds:	RSL 19	RSL 29	RS 14	RS 42	RS 44	RST 3
Related Shape No. :	-	-	-	-	-	-
Thickness (mm) :	-	-	-	-	-	-

<b>Shape No.:</b> 2475	<b>Thickness:</b> 20 mm					
Information:	Alcon					
Compounds:	RST 1	RST 3				
Related Shape No. :	8268	-	-	-	-	-
Thickness (mm) :	25	-	-	-	-	-

<b>Shape No.:</b> 2487	<b>Thickness:</b> 16 mm					
Information:	Brembo					
Compounds:	RSL 1	RSL 19	RSL 29	RS 14	RS 42	RST 1, RST 3, RST 5, RSC 1
Related Shape No. :	-	-	-	-	-	-
Thickness (mm) :	-	-	-	-	-	-

<b>Shape No.:</b> 2488	<b>Thickness:</b> 29 mm					
Information:	Alcon / Brembo					
Compounds:	RSL 1	RSL 2	RSL 19	RSL 29	RST 1	RST 2, RST 3
Related Shape No. :	2687	8038	8087	8173	-	-
Thickness (mm) :	20	22	25	31	-	-

<b>Shape No.:</b> 2555	<b>Thickness:</b> 20 mm					
Information:	Brakeman / Coleman / Opel / Outlaw / Wilwood					
Compounds:	RSL 1	RSL 29	RS 14	RST 1	RST 3	RST 4, RST 5
Related Shape No. :	8195	-	-	-	-	-
Thickness (mm) :	17	-	-	-	-	-

<b>Shape No.:</b> 2557	<b>Thickness:</b> 29 mm					
Information:	Alcon / AP Racing / McLaren					
Compounds:	RSL 1	RSL 29	RST 1	RST 2	RST 3	
Related Shape No. :	2558	2559	2688	8222	-	-
Thickness (mm) :	31	32	26.5	25	-	-

Illustrations are for identification purpose only. The right of modification in construction, design or model application is reserved. Even if shown in the drawing, accessories such as clips, springs, rivets, wear indicators, damping shims etc. are generally not part of PAGID Racing pads.

More applications and compounds on inquiry

## SHAPE LIST

<b>Shape No.: 2558</b>		<b>Thickness: 31 mm</b>				
Information: BMW						
Compounds: <b>RSL 1</b>						
Related Shape No. :	2557	2559	2688	8222	-	-
Thickness (mm) :	29	32	26.5	25	-	-

<b>Shape No.: 2559</b>		<b>Thickness: 32 mm</b>				
Information: Alcon / AP Racing						
Compounds: <b>RSL 1</b>						
Related Shape No. :	2557	2558	2688	8222	-	-
Thickness (mm) :	29	31	26.5	25	-	-

<b>Shape No.: 2560</b>		<b>Thickness: 30 mm</b>				
Information: AP Racing / Nissan						
Compounds: <b>RSL 1</b> <b>RST 1</b> <b>RST 5</b>						
Related Shape No. :	-	-	-	-	-	-
Thickness (mm) :	-	-	-	-	-	-

<b>Shape No.: 2564</b>		<b>Thickness: 30 mm</b>				
Information: AP Racing / AMG GT 3, GT 4						
Compounds: <b>RSL 1</b> <b>RSL 2</b> <b>RST 1</b> <b>RST 3</b>						
Related Shape No. :	-	-	-	-	-	-
Thickness (mm) :	-	-	-	-	-	-

<b>Shape No.: 2581USA</b>		<b>Thickness: 16 mm</b>				
Information: Wilwood						
Compounds: on inquiry						
Related Shape No. :	-	-	-	-	-	-
Thickness (mm) :	-	-	-	-	-	-

<b>Shape No.: 2593</b>		<b>Thickness: 14.6 mm</b>				
Information: Lotus / Opel						
Compounds: <b>RS 14</b>						
Related Shape No. :	1587	-	-	-	-	-
Thickness (mm) :	15	-	-	-	-	-

Illustrations are for identification purpose only. The right of modification in construction, design or model application is reserved. Even if shown in the drawing, accessories such as clips, springs, rivets, wear indicators, damping shims etc. are generally not part of PAGID Racing pads.

## SHAPE LIST

More applications and compounds on inquiry

<b>Shape No.:</b> 2623	<b>Thickness:</b> 17.3 mm					
Information:	Honda (Acura)					
Compounds:	<b>RSL 29</b>	<b>RS 42</b>				
Related Shape No. :	-	-	-	-	-	-
Thickness (mm) :	-	-	-	-	-	-

<b>Shape No.:</b> 2683	<b>Thickness:</b> 19 mm					
Information:	BMW / Maserati					
Compounds:	<b>RSL 29</b>					
Related Shape No. :	-	-	-	-	-	-
Thickness (mm) :	-	-	-	-	-	-

<b>Shape No.:</b> 2685	<b>Thickness:</b> 17 mm					
Information:	BMW / Maserati					
Compounds:	<b>RSL 1</b>	<b>RSL 29</b>	<b>RST 1</b>	<b>RST 4</b>		
Related Shape No. :	-	-	-	-	-	-
Thickness (mm) :	-	-	-	-	-	-

<b>Shape No.:</b> 2687	<b>Thickness:</b> 20 mm					
Information:	Brembo					
Compounds:	<b>RSL 29</b>					
Related Shape No. :	2488	8038	8087	8173	-	-
Thickness (mm) :	29	22	25	31	-	-

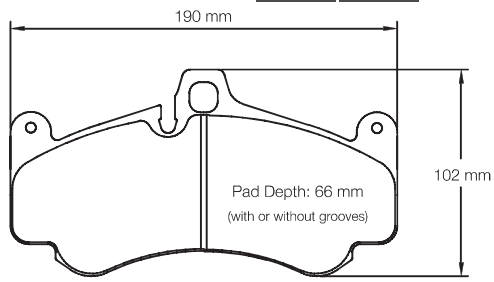
<b>Shape No.:</b> 2688	<b>Thickness:</b> 26.5 mm					
Information:	Alcon / AP Racing					
Compounds:	<b>RSL 19</b>	<b>RSL 29</b>	<b>RST 1</b>			
Related Shape No. :	2557	2558	2559	8222	-	-
Thickness (mm) :	29	31	32	25	-	-

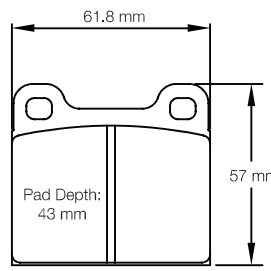
<b>Shape No.:</b> 2704	<b>Thickness:</b> 26.5 mm					
Information:	Audi / Brembo					
Compounds:	<b>RSL 1</b>	<b>RSL 2</b>	<b>RSL 19</b>	<b>RSL 29</b>	<b>RSL D1</b>	<b>RST D1</b>
Related Shape No. :	1595	1607	1674	8037	8191	8267
Thickness (mm) :	16	20	25	22	29	18

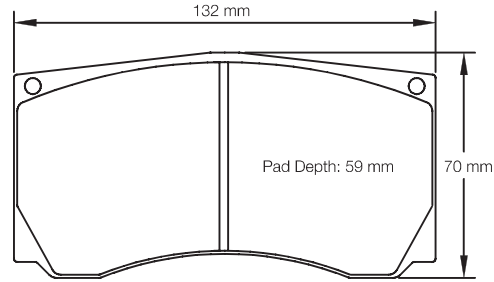
Illustrations are for identification purpose only. The right of modification in construction, design or model application is reserved. Even if shown in the drawing, accessories such as clips, springs, rivets, wear indicators, damping shims etc. are generally not part of PAGID Racing pads.

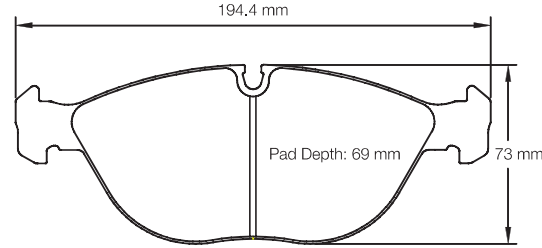
More applications and compounds on inquiry

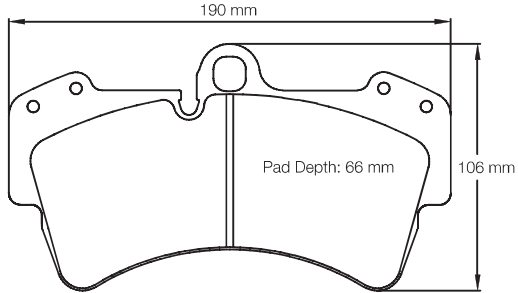
## SHAPE LIST

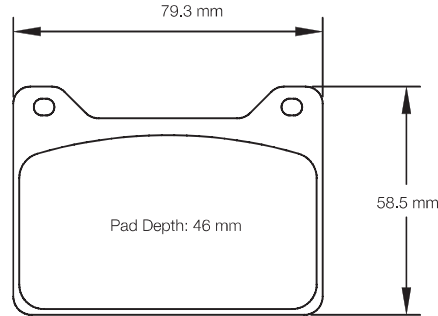
<b>Shape No.: 2707</b>		<b>Thickness: 18 mm</b>				
Information: Porsche						
Compounds: <b>RSL 19</b> <b>RSL 29</b> <b>RS 14</b> <b>RS 44</b> <b>RSC 1</b> <b>RSC 3</b>						
						
Related Shape No. :	-	-	-	-	-	-
Thickness (mm) :	-	-	-	-	-	-

<b>Shape No.: 2723</b>		<b>Thickness: 18 mm</b>				
Information: -						
Compounds: <b>RSH 29E</b>						
						
Related Shape No. :	4304	-	-	-	-	-
Thickness (mm) :	15	-	-	-	-	-

<b>Shape No.: 2743</b>		<b>Thickness: 15 mm</b>				
Information: Alcon						
Compounds: <b>RSC 1</b>						
						
Related Shape No. :	1756	-	-	-	-	-
Thickness (mm) :	20	-	-	-	-	-

<b>Shape No.: 2830</b>		<b>Thickness: 20 mm</b>				
Information: Audi / Mercedes / VW						
Compounds: <b>RSL 29</b> <b>RS 44</b>						
						
Related Shape No. :	-	-	-	-	-	-
Thickness (mm) :	-	-	-	-	-	-

<b>Shape No.: 2845</b>		<b>Thickness: 16 mm</b>				
Information: Porsche / VW						
Compounds: <b>RSL 29</b>						
						
Related Shape No. :	-	-	-	-	-	-
Thickness (mm) :	-	-	-	-	-	-

<b>Shape No.: 2905USA</b>		<b>Thickness: 12.5 mm</b>				
Information: Willwood						
Compounds: on inquiry						
						
Related Shape No. :	-	-	-	-	-	-
Thickness (mm) :	-	-	-	-	-	-

Shape List

Illustrations are for identification purpose only. The right of modification in construction, design or model application is reserved. Even if shown in the drawing, accessories such as clips, springs, rivets, wear indicators, damping shims etc. are generally not part of PAGID Racing pads.



## SHAPE LIST

More applications and compounds on inquiry

<b>Shape No.:</b> 2931	<b>Thickness:</b> 16.5 mm					
Information:	Audi / Brembo / Lamborghini / Mitsubishi					
Compounds:	RSL 1	RSL 29	RST 1	RST 3	RS 14	RS 42
Related Shape No. :	-	-	-	-	-	-
Thickness (mm) :	-	-	-	-	-	-

<b>Shape No.:</b> 2959	<b>Thickness:</b> 17.3 mm					
Information:	BMW					
Compounds:	RSL 29					
Related Shape No. :	-	-	-	-	-	-
Thickness (mm) :	-	-	-	-	-	-

<b>Shape No.:</b> 3102	<b>Thickness:</b> 14.4 mm					
Information:	Alcon / Caterham / Citroen / Lucas-Girling / Toyota					
Compounds:	RST 4	RS 14	RS 42	RS 44	RSH 3	RST 5
Related Shape No. :	-	-	-	-	-	-
Thickness (mm) :	-	-	-	-	-	-

<b>Shape No.:</b> 3190	<b>Thickness:</b> 14.4 mm					
Information:	-					
Compounds:	RSH 29E RSH 42					
Related Shape No. :	-	-	-	-	-	-
Thickness (mm) :	-	-	-	-	-	-

<b>Shape No.:</b> 3242	<b>Thickness:</b> 15.5 mm					
Information:	-					
Compounds:	on inquiry					
Related Shape No. :	-	-	-	-	-	-
Thickness (mm) :	-	-	-	-	-	-

<b>Shape No.:</b> 3276	<b>Thickness:</b> 18 mm					
Information:	Peugeot / Renault					
Compounds:	RS 42					
Related Shape No. :	-	-	-	-	-	-
Thickness (mm) :	-	-	-	-	-	-

Illustrations are for identification purpose only. The right of modification in construction, design or model application is reserved. Even if shown in the drawing, accessories such as clips, springs, rivets, wear indicators, damping shims etc. are generally not part of PAGID Racing pads.

More applications and compounds on inquiry

## SHAPE LIST

**Shape No.: 3277** Thickness: 24 mm

Information: Alcon / AP Racing / Brembo / StopTech / Wilwood

Compounds: **RSL 1** **RSL 29**

Related Shape No. :	3278	3279	8033	-	-	-
Thickness (mm) :	30	28	17.5	-	-	-

**Shape No.: 3278** Thickness: 30 mm

Information: Alcon / AP Racing / Brembo / StopTech

Compounds: **RST 1**

Related Shape No. :	3277	3279	8033	-	-	-
Thickness (mm) :	24	28	17.5	-	-	-

**Shape No.: 3279** Thickness: 28 mm

Information: Alcon / AP Racing / Brembo / StopTech

Compounds: **RST 2**

Related Shape No. :	3277	3278	8033	-	-	-
Thickness (mm) :	24	30	17.5	-	-	-

**Shape No.: 3830USA** Thickness: 14.5 mm

Information: Mazda / Fiat

Compounds: on inquiry

Related Shape No. :	-	-	-	-	-	-
Thickness (mm) :	-	-	-	-	-	-

**Shape No.: 4011** Thickness: 15.5 mm

Information: VW

Compounds: **RSL 29**

Related Shape No. :	-	-	-	-	-	-
Thickness (mm) :	-	-	-	-	-	-

Illustrations are for identification purpose only. The right of modification in construction, design or model application is reserved. Even if shown in the drawing, accessories such as clips, springs, rivets, wear indicators, damping shims etc. are generally not part of PAGID Racing pads.

# SHAPE LIST

More applications and compounds on inquiry

<b>Shape No.:</b> 4122	<b>Thickness:</b> 14.7 mm					
Information:	Porsche					
Compounds:	RSH 29E	RSH 42				
Related Shape No. :	-	-	-	-	-	-
Thickness (mm) :	-	-	-	-	-	-

<b>Shape No.:</b> 4304	<b>Thickness:</b> 15 mm					
Information:	Brembo / Porsche / StopTech					
Compounds:	RS 14	RSH 3	RSH 29E	RSH 42		
Related Shape No. :	2723	-	-	-	-	-
Thickness (mm) :	18	-	-	-	-	-

<b>Shape No.:</b> 4345	<b>Thickness:</b> 16.7 mm					
Information:	Alcon / AP Racing / Lotus / McLaren / Renault					
Compounds:	RSL 1	RSL 2	RSL 29	RS 14	RST 1	RST 2
	RST 3	RST 4				
Related Shape No. :	-	-	-	-	-	-
Thickness (mm) :	-	-	-	-	-	-

<b>Shape No.:</b> 4346	<b>Thickness:</b> 16.7 mm					
Information:	AP Racing / McLaren / Seat					
Compounds:	RSL 1	RSL 2	RSL 29	RST 1	RST 3	
				RS 14	RSC 1	
Related Shape No. :	8261	-	-	-	-	-
Thickness (mm) :	25	-	-	-	-	-

<b>Shape No.:</b> 4349	<b>Thickness:</b> 16 mm					
Information:	AP Racing / Caterham / Lotus					
Compounds:	RSL 1	RSL 29	RST 1	RST 2	RST 3	
			RS 14	RS 42	RSC 1	
Related Shape No. :	8076	-	-	-	-	-
Thickness (mm) :	14.4	-	-	-	-	-

<b>Shape No.:</b> 4501	<b>Thickness:</b> 15 mm					
Information:	-					
Compounds:	RSH 3	RSH 29E	RSH 42			
Related Shape No. :	4503	-	-	-	-	-
Thickness (mm) :	19	-	-	-	-	-

Illustrations are for identification purpose only. The right of modification in construction, design or model application is reserved. Even if shown in the drawing, accessories such as clips, springs, rivets, wear indicators, damping shims etc. are generally not part of PAGID Racing pads.

Shape List

More applications and compounds on inquiry

## SHAPE LIST

<b>Shape No.: 4503</b>		<b>Thickness: 19 mm</b>				
Information: -						
Compounds: <b>RSH 29E</b> <b>RSH 42</b>						
Related Shape No. :	4501	-	-	-	-	-
Thickness (mm) :	15	-	-	-	-	-

<b>Shape No.: 4507</b>		<b>Thickness: 16.5 mm</b>				
Information: -						
Compounds: <b>RSH 42</b>						
Related Shape No. :	-	-	-	-	-	-
Thickness (mm) :	-	-	-	-	-	-

<b>Shape No.: 4508</b>		<b>Thickness: 16 mm</b>				
Information: -						
Compounds: <b>RSH 29E</b>						
Related Shape No. :	-	-	-	-	-	-
Thickness (mm) :	-	-	-	-	-	-

<b>Shape No.: 4509</b>		<b>Thickness: 15.6 mm</b>				
Information: -						
Compounds: on inquiry						
Related Shape No. :	-	-	-	-	-	-
Thickness (mm) :	-	-	-	-	-	-

<b>Shape No.: 4580</b>		<b>Thickness: 15.25 mm</b>				
Information: Ferrari						
Compounds: <b>RSC 1</b>						
Related Shape No. :	-	-	-	-	-	-
Thickness (mm) :	-	-	-	-	-	-

<b>Shape No.: 4581</b>		<b>Thickness: 15 mm</b>				
Information: Ferrari						
Compounds: <b>RSC 1</b>						
Related Shape No. :	-	-	-	-	-	-
Thickness (mm) :	-	-	-	-	-	-

Shape List

Illustrations are for identification purpose only. The right of modification in construction, design or model application is reserved. Even if shown in the drawing, accessories such as clips, springs, rivets, wear indicators, damping shims etc. are generally not part of PAGID Racing pads.

## SHAPE LIST

More applications and compounds on inquiry

<b>Shape No.: 4623</b>		<b>Thickness: 18.5 mm</b>				
Information: -						
Compounds: <b>RSH 42</b>						
Related Shape No. :	4634	-	-	-	-	-
Thickness (mm) :	15	-	-	-	-	-

<b>Shape No.: 4634</b>		<b>Thickness: 15 mm</b>				
Information: -						
Compounds: <b>RSH 42</b>						
Related Shape No. :	4623	-	-	-	-	-
Thickness (mm) :	18.5	-	-	-	-	-

<b>Shape No.: 4702</b>		<b>Thickness: 19 mm</b>				
Information: -						
Compounds: <b>RSH 29E RSH 42</b>						
Related Shape No. :	4703	-	-	-	-	-
Thickness (mm) :	15	-	-	-	-	-

<b>Shape No.: 4703</b>		<b>Thickness: 15 mm</b>				
Information: -						
Compounds: <b>RSH 29E RSH 42</b>						
Related Shape No. :	4702	-	-	-	-	-
Thickness (mm) :	19	-	-	-	-	-

<b>Shape No.: 4823</b>		<b>Thickness: 18 mm</b>				
Information: Ford						
Compounds: <b>RS 42</b>						
Related Shape No. :	-	-	-	-	-	-
Thickness (mm) :	-	-	-	-	-	-

<b>Shape No.: 4905</b>		<b>Thickness: 15.5 mm</b>				
Information: -						
Compounds: <b>RSH 29E RSH 42</b>						
Related Shape No. :	-	-	-	-	-	-
Thickness (mm) :	-	-	-	-	-	-

Illustrations are for identification purpose only. The right of modification in construction, design or model application is reserved. Even if shown in the drawing, accessories such as clips, springs, rivets, wear indicators, damping shims etc. are generally not part of PAGID Racing pads.

More applications and compounds on inquiry

## SHAPE LIST

<b>Shape No.:</b> 4906	<b>Thickness:</b> 16.3 mm					
Information:	Chevrolet / Ferrari / Lamborghini					
Compounds:	RSC 1	RSC 2	RSC 3			
Related Shape No. :	-	-	-	-	-	-
Thickness (mm) :	-	-	-	-	-	-

<b>Shape No.:</b> 4907	<b>Thickness:</b> 16 mm					
Information:	Audi / Lamborghini					
Compounds:	RSL 29	RSC 1	RSC 2	RSC 3		
Related Shape No. :	-	-	-	-	-	-
Thickness (mm) :	-	-	-	-	-	-

<b>Shape No.:</b> 4908	<b>Thickness:</b> 17.5 mm					
Information:	Porsche					
Compounds:	RSL 1	RSL 29	RST 1	RST 3	RSC 1	RSC 3
Related Shape No. :	-	-	-	-	-	-
Thickness (mm) :	-	-	-	-	-	-

<b>Shape No.:</b> 4909	<b>Thickness:</b> 16 mm					
Information:	Porsche					
Compounds:	RSL 1	RSL 19	RSL 29	RST 1	RST 3	RSC 1, RSC 2, RSC 3
Related Shape No. :	-	-	-	-	-	-
Thickness (mm) :	-	-	-	-	-	-

<b>Shape No.:</b> 4910	<b>Thickness:</b> 20 mm					
Information:	Audi / Bentley					
Compounds:	RSC 1					
Related Shape No. :	-	-	-	-	-	-
Thickness (mm) :	-	-	-	-	-	-

<b>Shape No.:</b> 4912	<b>Thickness:</b> 16 mm					
Information:	Alcon					
Compounds:	RST 1	RST 3				
Related Shape No. :	-	-	-	-	-	-
Thickness (mm) :	-	-	-	-	-	-

Illustrations are for identification purpose only. The right of modification in construction, design or model application is reserved. Even if shown in the drawing, accessories such as clips, springs, rivets, wear indicators, damping shims etc. are generally not part of PAGID Racing pads.

## SHAPE LIST

More applications and compounds on inquiry

<b>Shape No.:</b> 4913	<b>Thickness:</b> 17.9 mm					
Information:	Toyota					
Compounds:	<b>RST 3</b>					
Related Shape No. :	-	-	-	-	-	-
Thickness (mm) :	-	-	-	-	-	-

<b>Shape No.:</b> 4916	<b>Thickness:</b> 15 mm					
Information:	Alcon					
Compounds:	<b>RST 1</b> <b>RST 3</b>					
Related Shape No. :	-	-	-	-	-	-
Thickness (mm) :	-	-	-	-	-	-

<b>Shape No.:</b> 4917	<b>Thickness:</b> 16 mm					
Information:	Porsche / VW					
Compounds:	<b>RSL 1</b> <b>RSL 29</b> <b>RSC 1</b> <b>RSC 3</b>					
Related Shape No. :	-	-	-	-	-	-
Thickness (mm) :	-	-	-	-	-	-

<b>Shape No.:</b> 4918	<b>Thickness:</b> 16.3 mm					
Information:	Porsche / VW					
Compounds:	<b>RSL 1</b> <b>RSL 19</b> <b>RSL 29</b> <b>RST 3</b> <b>RSC 1</b> <b>RSC 3</b>					
Related Shape No. :	-	-	-	-	-	-
Thickness (mm) :	-	-	-	-	-	-

<b>Shape No.:</b> 4920	<b>Thickness:</b> 22 mm					
Information:	Porsche					
Compounds:	<b>RSL 1</b> <b>RSL 29</b> <b>RST 1</b> <b>RST 3</b>					
Related Shape No. :	4928	-	-	-	-	-
Thickness (mm) :	28	-	-	-	-	-

<b>Shape No.:</b> 4921	<b>Thickness:</b> 20 mm					
Information:	Porsche					
Compounds:	<b>RSL 1</b> <b>RSL 19</b> <b>RSL 29</b> <b>RST 1</b> <b>RST 3</b>					
Related Shape No. :	4929	-	-	-	-	-
Thickness (mm) :	26	-	-	-	-	-

Illustrations are for identification purpose only. The right of modification in construction, design or model application is reserved. Even if shown in the drawing, accessories such as clips, springs, rivets, wear indicators, damping shims etc. are generally not part of PAGID Racing pads.

More applications and compounds on inquiry

## SHAPE LIST

<b>Shape No.:</b> 4922	<b>Thickness:</b> 17.3 mm					
Information:	Porsche					
Compounds:	RSL 1	RSL 29	RST 1	RST 3		
Related Shape No. :	-	-	-	-	-	-
Thickness (mm) :	-	-	-	-	-	-

<b>Shape No.:</b> 4923	<b>Thickness:</b> 29 mm					
Information:	Ginetta / PFC					
Compounds:	RSL 1	RSL 2	RST 1	RST 3		
Related Shape No. :	-	-	-	-	-	-
Thickness (mm) :	-	-	-	-	-	-

<b>Shape No.:</b> 4924	<b>Thickness:</b> 16.6 mm					
Information:	Porsche					
Compounds:	RSL 1	RSL 29	RST 1	RST 3		
Related Shape No. :	-	-	-	-	-	-
Thickness (mm) :	-	-	-	-	-	-

<b>Shape No.:</b> 4925	<b>Thickness:</b> 18 mm					
Information:	Porsche					
Compounds:	RSL 1	RSL 19	RSL 29	RST 1	RST 3	RSC 1, RSC 2, RSC 3
Related Shape No. :	-	-	-	-	-	-
Thickness (mm) :	-	-	-	-	-	-

<b>Shape No.:</b> 4927	<b>Thickness:</b> 18.5 mm					
Information:	Porsche					
Compounds:	RSL 1	RSL 29	RSC 1	RSC 2	RSC 3	
Related Shape No. :	-	-	-	-	-	-
Thickness (mm) :	-	-	-	-	-	-

<b>Shape No.:</b> 4928	<b>Thickness:</b> 28 mm					
Information:	Porsche					
Compounds:	RSL 1	RSL 2	RSL 19	RSL 29	RST 1	RST 3
Related Shape No. :	4920	-	-	-	-	-
Thickness (mm) :	22	-	-	-	-	-

Shape List

Illustrations are for identification purpose only. The right of modification in construction, design or model application is reserved. Even if shown in the drawing, accessories such as clips, springs, rivets, wear indicators, damping shims etc. are generally not part of PAGID Racing pads.



## SHAPE LIST

More applications and compounds on inquiry

<b>Shape No.: 4929</b>		<b>Thickness: 26 mm</b>				
Information: Porsche						
Compounds: <b>RSL 1</b> <b>RSL 2</b> <b>RSL 19</b> <b>RSL 29</b> <b>RSL D1</b> <b>RST 3</b> <b>RST D1</b>						
Related Shape No. :	4921	-	-	-	-	-
Thickness (mm) :	20	-	-	-	-	-

<b>Shape No.: 4930</b>		<b>Thickness: 19 mm</b>				
Information: Alpina						
Compounds: on inquiry						
Related Shape No. :	-	-	-	-	-	-
Thickness (mm) :	-	-	-	-	-	-

<b>Shape No.: 4931</b>		<b>Thickness: 17.5 mm</b>				
Information: Alpina / BMW						
Compounds: <b>RSL 1</b> <b>RSL 29</b>						
Related Shape No. :	-	-	-	-	-	-
Thickness (mm) :	-	-	-	-	-	-

<b>Shape No.: 4932</b>		<b>Thickness: 18 mm</b>				
Information: Alpina / BMW						
Compounds: <b>RSL 29</b> <b>RSC 1</b> <b>RSC 2</b>						
Related Shape No. :	-	-	-	-	-	-
Thickness (mm) :	-	-	-	-	-	-

<b>Shape No.: 4933</b>		<b>Thickness: 16.5 mm</b>				
Information: Alpina / BMW						
Compounds: <b>RSL 1</b> <b>RSL 29</b>						
Related Shape No. :	-	-	-	-	-	-
Thickness (mm) :	-	-	-	-	-	-

<b>Shape No.: 4934</b>		<b>Thickness: 19.5 mm</b>				
Information: BMW						
Compounds: <b>RSL 29</b> <b>RSC 1</b>						
Related Shape No. :	-	-	-	-	-	-
Thickness (mm) :	-	-	-	-	-	-

Illustrations are for identification purpose only. The right of modification in construction, design or model application is reserved. Even if shown in the drawing, accessories such as clips, springs, rivets, wear indicators, damping shims etc. are generally not part of PAGID Racing pads.

More applications and compounds on inquiry

## SHAPE LIST

<b>Shape No.:</b> 4935	<b>Thickness:</b> 19.4 mm					
Information:	BMW					
Compounds:	RSC 1		RSC 2			
Related Shape No. :	-	-	-	-	-	-
Thickness (mm) :	-	-	-	-	-	-

<b>Shape No.:</b> 4936	<b>Thickness:</b> 16.7 mm					
Information:	Audi / VW					
Compounds:	RS 44					
Related Shape No. :	-	-	-	-	-	-
Thickness (mm) :	-	-	-	-	-	-

<b>Shape No.:</b> 4937	<b>Thickness:</b> 17.6 mm					
Information:	Audi / Bentley / Lamborghini					
Compounds:	RSC 1		RSC 2			
Related Shape No. :	-	-	-	-	-	-
Thickness (mm) :	-	-	-	-	-	-

<b>Shape No.:</b> 4938	<b>Thickness:</b> 17 mm					
Information:	Audi / Bentley					
Compounds:	RSC 1		RSC 2			
Related Shape No. :	-	-	-	-	-	-
Thickness (mm) :	-	-	-	-	-	-

<b>Shape No.:</b> 4939	<b>Thickness:</b> 16.2 mm					
Information:	Opel					
Compounds:	RS 44					
Related Shape No. :	-	-	-	-	-	-
Thickness (mm) :	-	-	-	-	-	-

<b>Shape No.:</b> 4940	<b>Thickness:</b> 17.5 mm					
Information:	Fiat / Opel					
Compounds:	RST 3		RS 44			
Related Shape No. :	-	-	-	-	-	-
Thickness (mm) :	-	-	-	-	-	-

Illustrations are for identification purpose only. The right of modification in construction, design or model application is reserved. Even if shown in the drawing, accessories such as clips, springs, rivets, wear indicators, damping shims etc. are generally not part of PAGID Racing pads.

## SHAPE LIST

More applications and compounds on inquiry

<b>Shape No.:</b> 4941	<b>Thickness:</b> 16.2 mm					
Information:	Aston Martin					
Compounds:	<b>RSC 1</b>		<b>RSC 2</b>			
Related Shape No. :	-	-	-	-	-	-
Thickness (mm) :	-	-	-	-	-	-

<b>Shape No.:</b> 4943	<b>Thickness:</b> 16 mm					
Information:	Aston Martin					
Compounds:	<b>RSC 1</b>		<b>RSC 2</b>			
Related Shape No. :	-	-	-	-	-	-
Thickness (mm) :	-	-	-	-	-	-

<b>Shape No.:</b> 4945	<b>Thickness:</b> 18.9 mm					
Information:	Nissan					
Compounds:	<b>RSC 1</b>					
Related Shape No. :	-	-	-	-	-	-
Thickness (mm) :	-	-	-	-	-	-

<b>Shape No.:</b> 4946	<b>Thickness:</b> 17.9 mm					
Information:	Nissan					
Compounds:	<b>RSC 1</b>					
Related Shape No. :	-	-	-	-	-	-
Thickness (mm) :	-	-	-	-	-	-

<b>Shape No.:</b> 7034	<b>Thickness:</b> 19 mm					
Information:	Hyundai					
Compounds:	<b>RSL 2</b>					
Related Shape No. :	-	-	-	-	-	-
Thickness (mm) :	-	-	-	-	-	-

<b>Shape No.:</b> 7035	<b>Thickness:</b> 16 mm					
Information:	Hyundai					
Compounds:	<b>RSL 2</b>					
Related Shape No. :	-	-	-	-	-	-
Thickness (mm) :	-	-	-	-	-	-

Illustrations are for identification purpose only. The right of modification in construction, design or model application is reserved. Even if shown in the drawing, accessories such as clips, springs, rivets, wear indicators, damping shims etc. are generally not part of PAGID Racing pads.

More applications and compounds on inquiry

## SHAPE LIST

<b>Shape No.:</b> 8000	<b>Thickness:</b> 16 mm					
Information:	Alcon / Brembo					
Compounds:	RSL 29	RST 2	RST 4	RS 42		
Related Shape No.:	-	-	-	-	-	-
Thickness (mm):	-	-	-	-	-	-

<b>Shape No.:</b> 8001	<b>Thickness:</b> 20 mm					
Information:	Audi / VW					
Compounds:	RSL 29	RST 3	RS 42			
Related Shape No.:	-	-	-	-	-	-
Thickness (mm):	-	-	-	-	-	-

<b>Shape No.:</b> 8003	<b>Thickness:</b> 17.5 mm					
Information:	Porsche					
Compounds:	RSL 1	RSL 29	RST 1	RST 5	RS 14	
Related Shape No.:	8004	-	-	-	-	-
Thickness (mm):	19.5	-	-	-	-	-

<b>Shape No.:</b> 8004	<b>Thickness:</b> 19.5 mm					
Information:	Porsche					
Compounds:	RSL 1	RSL 19	RSL 29	RS 14	RST 1	RST 3
Related Shape No.:	8003	-	-	-	-	-
Thickness (mm):	17.5	-	-	-	-	-

<b>Shape No.:</b> 8005	<b>Thickness:</b> 16.4 mm					
Information:	Brembo / Ford / Lexus / Maserati / Mercedes					
Compounds:	RSL 1	RSL 19	RS 14			
Related Shape No.:	-	-	-	-	-	-
Thickness (mm):	-	-	-	-	-	-

<b>Shape No.:</b> 8006	<b>Thickness:</b> 19 mm					
Information:	Porsche					
Compounds:	RSL 1	RSL 19	RSL 29	RS 14	RST 1	RST 3
Related Shape No.:	8008	-	-	-	-	-
Thickness (mm):	17	-	-	-	-	-

Illustrations are for identification purpose only. The right of modification in construction, design or model application is reserved. Even if shown in the drawing, accessories such as clips, springs, rivets, wear indicators, damping shims etc. are generally not part of PAGID Racing pads.

## SHAPE LIST

More applications and compounds on inquiry

<b>Shape No.:</b> 8007	<b>Thickness:</b> 16 mm					
Information:	Alcon					
Compounds:	<b>RSL 29</b>					
Related Shape No.:	-	-	-	-	-	-
Thickness (mm):	-	-	-	-	-	-

<b>Shape No.:</b> 8008	<b>Thickness:</b> 17 mm					
Information:	Porsche					
Compounds:	<b>RSL 1</b> <b>RSL 29</b> <b>RST 3</b> <b>RSC 1</b>					
Related Shape No.:	8006	-	-	-	-	-
Thickness (mm):	19	-	-	-	-	-

<b>Shape No.:</b> 8009	<b>Thickness:</b> 15.5 mm					
Information:	Alcon / Porsche					
Compounds:	<b>RS 42</b>					
Related Shape No.:	1203	1916	-	-	-	-
Thickness (mm):	17.5	24	-	-	-	-

<b>Shape No.:</b> 8010	<b>Thickness:</b> 17 mm					
Information:	Honda (Acura)					
Compounds:	<b>RSL 29</b>					
Related Shape No.:	-	-	-	-	-	-
Thickness (mm):	-	-	-	-	-	-

<b>Shape No.:</b> 8011	<b>Thickness:</b> 16 mm					
Information:	Alcon					
Compounds:	<b>RSL 29</b> <b>RST 1</b> <b>RSC 1</b>					
Related Shape No.:	-	-	-	-	-	-
Thickness (mm):	-	-	-	-	-	-

<b>Shape No.:</b> 8018	<b>Thickness:</b> 17 mm					
Information:	Alcon / AP Racing					
Compounds:	<b>RSL 29</b> <b>RST 1</b> <b>RST 2</b> <b>RST 3</b> <b>RST 4</b>					
Related Shape No.:	1538	1903	8192	-	-	-
Thickness (mm):	25	18	28.5	-	-	-

Illustrations are for identification purpose only. The right of modification in construction, design or model application is reserved. Even if shown in the drawing, accessories such as clips, springs, rivets, wear indicators, damping shims etc. are generally not part of PAGID Racing pads.

More applications and compounds on inquiry

## SHAPE LIST

<b>Shape No.:</b> 8019	<b>Thickness:</b> 20 mm					
Information:	BMW / Jaguar					
Compounds:	<b>RSL 19</b>					
Related Shape No. :	-	-	-	-	-	-
Thickness (mm) :	-	-	-	-	-	-

<b>Shape No.:</b> 8021	<b>Thickness:</b> 16.2 mm					
Information:	BMW					
Compounds:	<b>RSL 1</b>	<b>RSL 19</b>	<b>RST 2</b>	<b>RS 44</b>	<b>RSC 1</b>	<b>RSC 2</b>
Related Shape No. :	-	-	-	-	-	-
Thickness (mm) :	-	-	-	-	-	-

<b>Shape No.:</b> 8023	<b>Thickness:</b> 15.5 mm					
Information:	Alfa Romeo / Brembo / Chevrolet / Mazda / Opel Renault					
Compounds:	<b>RSL 1</b>	<b>RSL 2</b>	<b>RSL 29</b>	<b>RST 1</b>	<b>RST 3</b>	<b>RST 4</b>
				<b>RST 5</b>		
Related Shape No. :	-	-	-	-	-	-
Thickness (mm) :	-	-	-	-	-	-

<b>Shape No.:</b> 8027	<b>Thickness:</b> 17.4 mm					
Information:	Mercedes					
Compounds:	<b>RSL 29</b>					
Related Shape No. :	-	-	-	-	-	-
Thickness (mm) :	-	-	-	-	-	-

<b>Shape No.:</b> 8028	<b>Thickness:</b> 16 mm					
Information:	Alcon					
Compounds:	<b>RSL 29</b>	<b>RST 1</b>	<b>RST 3</b>			
Related Shape No. :	-	-	-	-	-	-
Thickness (mm) :	-	-	-	-	-	-

<b>Shape No.:</b> 8029	<b>Thickness:</b> 16.5 mm					
Information:	Toyota					
Compounds:	<b>RSL 29</b>					
Related Shape No. :	-	-	-	-	-	-
Thickness (mm) :	-	-	-	-	-	-

Shape List

Illustrations are for identification purpose only. The right of modification in construction, design or model application is reserved. Even if shown in the drawing, accessories such as clips, springs, rivets, wear indicators, damping shims etc. are generally not part of PAGID Racing pads.

## SHAPE LIST

More applications and compounds on inquiry

<b>Shape No.: 8030</b>		<b>Thickness: 17 mm</b>				
Information: Brembo / Mitsubishi						
Compounds: <b>RST 1</b> <b>RST 3</b> <b>RST 4</b> <b>RST 5</b>						
Related Shape No. :	1616	1618	1619	1896	-	-
Thickness (mm) :	16	28	26	20	-	-

<b>Shape No.: 8031</b>		<b>Thickness: 16 mm</b>				
Information: Mercedes						
Compounds: <b>RSL 19</b>						
Related Shape No. :	-	-	-	-	-	-
Thickness (mm) :	-	-	-	-	-	-

<b>Shape No.: 8032</b>		<b>Thickness: 17.5 mm</b>				
Information: -						
Compounds: <b>RSH 3</b> <b>RSH 29E</b> <b>RSH 42</b>						
Related Shape No. :	-	-	-	-	-	-
Thickness (mm) :	-	-	-	-	-	-

<b>Shape No.: 8033</b>		<b>Thickness: 17.5 mm</b>				
Information: Alcon / AP Racing / Brembo / Mitsubishi / StopTech						
Compounds: <b>RSL 1</b> <b>RST 1</b> <b>RST 3</b> <b>RST 4</b> <b>RST 5</b>						
Related Shape No. :	3277	3278	3279	-	-	-
Thickness (mm) :	24	30	28	-	-	-

<b>Shape No.: 8034</b>		<b>Thickness: 15.5 mm</b>				
Information: PFC Formula 3						
Compounds: on inquiry						
Related Shape No. :	-	-	-	-	-	-
Thickness (mm) :	-	-	-	-	-	-



Illustrations are for identification purpose only. The right of modification in construction, design or model application is reserved. Even if shown in the drawing, accessories such as clips, springs, rivets, wear indicators, damping shims etc. are generally not part of PAGID Racing pads.

More applications and compounds on inquiry

## SHAPE LIST

<b>Shape No.:</b> 8035	<b>Thickness:</b> 16.5 mm					
Information:	BMW					
Compounds:	<b>RSL 1</b>	<b>RSL 29</b>	<b>RS 44</b>			
Related Shape No. :	-	-	-	-	-	-
Thickness (mm) :	-	-	-	-	-	-

<b>Shape No.:</b> 8037	<b>Thickness:</b> 22 mm					
Information:	Alcon / Brembo / Porsche					
Compounds:	<b>RSL 1</b>	<b>RSL 19</b>	<b>RSL 29</b>	<b>RST 1</b>	<b>RST 2</b>	
Related Shape No. :	1595	1607	1674	2704	8191	8267
Thickness (mm) :	16	20	25	26,5	29	18

<b>Shape No.:</b> 8038	<b>Thickness:</b> 22 mm					
Information:	Brembo / Porsche					
Compounds:	<b>RSL 1</b>	<b>RSL 19</b>	<b>RSL 29</b>	<b>RS 14</b>		
				<b>RST 1</b>	<b>RST 2</b>	<b>RST 3</b>
Related Shape No. :	2488	2687	8087	8173	-	-
Thickness (mm) :	29	20	25	31	-	-

<b>Shape No.:</b> 8039	<b>Thickness:</b> 16.8 mm					
Information:	Audi / Bentley					
Compounds:	<b>RSL 19</b>	<b>RSC 1</b>				
Related Shape No. :	-	-	-	-	-	-
Thickness (mm) :	-	-	-	-	-	-

<b>Shape No.:</b> 8040	<b>Thickness:</b> 16 mm					
Information:	-					
Compounds:	<b>RSH 3</b>	<b>RSH 42</b>				
Related Shape No. :	-	-	-	-	-	-
Thickness (mm) :	-	-	-	-	-	-

Shape List

Illustrations are for identification purpose only. The right of modification in construction, design or model application is reserved. Even if shown in the drawing, accessories such as clips, springs, rivets, wear indicators, damping shims etc. are generally not part of PAGID Racing pads.



## SHAPE LIST

More applications and compounds on inquiry

<b>Shape No.:</b> 8041	<b>Thickness:</b> 15.5 mm					
Information:	-					
Compounds:	<b>RSH 29E</b>					
Related Shape No.:	-	-	-	-	-	-
Thickness (mm):	-	-	-	-	-	-

<b>Shape No.:</b> 8042	<b>Thickness:</b> 16 mm					
Information:	-					
Compounds:	<b>RSH 29E RSH 42</b>					
Related Shape No.:	-	-	-	-	-	-
Thickness (mm):	-	-	-	-	-	-

<b>Shape No.:</b> 8043	<b>Thickness:</b> 18 mm					
Information:	Alcon					
Compounds:	<b>RSL 29</b>					
Related Shape No.:	-	-	-	-	-	-
Thickness (mm):	-	-	-	-	-	-

<b>Shape No.:</b> 8044	<b>Thickness:</b> 18 mm					
Information:	AP Racing / Brembo					
Compounds:	<b>RSL 1 RST 1 RST 3 RST 5</b>					
Related Shape No.:	-	-	-	-	-	-
Thickness (mm):	-	-	-	-	-	-

<b>Shape No.:</b> 8045	<b>Thickness:</b> 25 mm					
Information:	Alcon					
Compounds:	on inquiry					
Related Shape No.:	-	-	-	-	-	-
Thickness (mm):	-	-	-	-	-	-

<b>Shape No.:</b> 8046	<b>Thickness:</b> 17.2 mm					
Information:	Audi / VW					
Compounds:	<b>RSL 19 RS 44</b>					
Related Shape No.:	-	-	-	-	-	-
Thickness (mm):	-	-	-	-	-	-

Illustrations are for identification purpose only. The right of modification in construction, design or model application is reserved. Even if shown in the drawing, accessories such as clips, springs, rivets, wear indicators, damping shims etc. are generally not part of PAGID Racing pads.

More applications and compounds on inquiry

## SHAPE LIST

<b>Shape No.: 8049</b>		<b>Thickness: 16 mm</b>				
Information: Brembo						
Compounds:	<b>RSL 1</b>	<b>RSL 19</b>	<b>RSL 29</b>	<b>RST 1</b>	<b>RST 2</b>	
	<b>RST 3</b>	<b>RST 4</b>	<b>RS 34</b>	<b>RS 36</b>	<b>RS 42</b>	
Related Shape No. :	8217	-	-	-	-	-
Thickness (mm) :	17	-	-	-	-	-

<b>Shape No.: 8049U</b>		<b>Thickness: 16 mm</b>				
Information: 8049 with light weight back plate, direction bounded						
Compounds:	<b>RS 34</b>					
Related Shape No. :	-	-	-	-	-	-
Thickness (mm) :	-	-	-	-	-	-

<b>Shape No.: 8050</b>		<b>Thickness: 15 mm</b>				
Information: Alcon						
Compounds:	<b>RSL 29</b>	<b>RST 1</b>				
Related Shape No. :	-	-	-	-	-	-
Thickness (mm) :	-	-	-	-	-	-

<b>Shape No.: 8051</b>		<b>Thickness: 17.3 mm</b>				
Information: BMW						
Compounds:	<b>RSL 1</b>	<b>RSL 19</b>				
Related Shape No. :	-	-	-	-	-	-
Thickness (mm) :	-	-	-	-	-	-

<b>Shape No.: 8053</b>		<b>Thickness: 20.3 mm</b>				
Information: BMW						
Compounds:	<b>RSL 1</b>	<b>RSL 19</b>	<b>RST 1</b>	<b>RST 2</b>	<b>RST 3</b>	<b>RSC 1</b>
Related Shape No. :	-	-	-	-	-	-
Thickness (mm) :	-	-	-	-	-	-

<b>Shape No.: 8055</b>		<b>Thickness: 17.5 mm</b>				
Information: -						
Compounds:	<b>RSH 42</b>					
Related Shape No. :	-	-	-	-	-	-
Thickness (mm) :	-	-	-	-	-	-

Illustrations are for identification purpose only. The right of modification in construction, design or model application is reserved. Even if shown in the drawing, accessories such as clips, springs, rivets, wear indicators, damping shims etc. are generally not part of PAGID Racing pads.

# SHAPE LIST

More applications and compounds on inquiry

<b>Shape No.:</b> 8056	<b>Thickness:</b> 17 mm					
Information:	-					
Compounds:	RSH 3		RSH 29E			
Related Shape No. :	-	-	-	-	-	-
Thickness (mm) :	-	-	-	-	-	-

<b>Shape No.:</b> 8057	<b>Thickness:</b> 14 mm					
Information:	-					
Compounds:	RSH 3					
Related Shape No. :	-	-	-	-	-	-
Thickness (mm) :	-	-	-	-	-	-

<b>Shape No.:</b> 8058	<b>Thickness:</b> 22 mm					
Information:	Set of 8 pcs					
Compounds:	RSH 3					
Related Shape No. :	-	-	-	-	-	-
Thickness (mm) :	-	-	-	-	-	-

<b>Shape No.:</b> 8059	<b>Thickness:</b> 25 mm					
Information:	-					
Compounds:	RSH 3		RSH 29E			
Related Shape No. :	-	-	-	-	-	-
Thickness (mm) :	-	-	-	-	-	-

<b>Shape No.:</b> 8060	<b>Thickness:</b> 16 mm					
Information:	AP Racing					
Compounds:	RSL 19	RST 1	RST 2	RS 34	RS 36	
	RSL 29	RST 3	RST 4	RS 42		
Related Shape No. :	-	-	-	-	-	-
Thickness (mm) :	-	-	-	-	-	-

<b>Shape No.:</b> 8060U	<b>Thickness:</b> 16 mm					
Information:	8060 with light weight back plate, direction bounded					
Compounds:	RS 34					
Related Shape No. :	-	-	-	-	-	-
Thickness (mm) :	-	-	-	-	-	-

Illustrations are for identification purpose only. The right of modification in construction, design or model application is reserved. Even if shown in the drawing, accessories such as clips, springs, rivets, wear indicators, damping shims etc. are generally not part of PAGID Racing pads.

More applications and compounds on inquiry

## SHAPE LIST

<b>Shape No.:</b> 8061	<b>Thickness:</b> 16.8 mm					
Information:	Brembo					
Compounds:	RSL 29		RSC 1			
Related Shape No. :	-	-	-	-	-	-
Thickness (mm) :	-	-	-	-	-	-

<b>Shape No.:</b> 8062	<b>Thickness:</b> 16.8 mm					
Information:	Brembo					
Compounds:	RSL 1		RSL 29			
Related Shape No. :	-	-	-	-	-	-
Thickness (mm) :	-	-	-	-	-	-

<b>Shape No.:</b> 8064	<b>Thickness:</b> 19.5 mm					
Information:	Audi / Mazda / Seat / Skoda / VW					
Compounds:	RSL 19		RST 2		RST 3	
Related Shape No. :	-	-	-	-	-	-
Thickness (mm) :	-	-	-	-	-	-

<b>Shape No.:</b> 8067	<b>Thickness:</b> 15 mm					
Information:	-					
Compounds:	RSH 42					
Related Shape No. :	-	-	-	-	-	-
Thickness (mm) :	-	-	-	-	-	-

<b>Shape No.:</b> 8068	<b>Thickness:</b> 15 mm					
Information:	-					
Compounds:	RSH 29E					
Related Shape No. :	-	-	-	-	-	-
Thickness (mm) :	-	-	-	-	-	-

Shape List

Illustrations are for identification purpose only. The right of modification in construction, design or model application is reserved. Even if shown in the drawing, accessories such as clips, springs, rivets, wear indicators, damping shims etc. are generally not part of PAGID Racing pads.

## SHAPE LIST

More applications and compounds on inquiry

<b>Shape No.: 8069</b>		<b>Thickness: 17 mm</b>				
Information: Brembo / Mitsubishi / VW						
Compounds: <b>RSL 19</b> <b>RS 42</b>						
Related Shape No. : - - - - -						
Thickness (mm) : - - - - -						

<b>Shape No.: 8070</b>		<b>Thickness: 17 mm</b>				
Information: Comes w.o. back plate slot						
Compounds: <b>RSH 29E</b>						
Related Shape No. : - - - - -						
Thickness (mm) : - - - - -						

<b>Shape No.: 8071</b>		<b>Thickness: 17 mm</b>				
Information: Comes w.o. back plate slot						
Compounds: <b>RSH 29E</b>						
Related Shape No. : - - - - -						
Thickness (mm) : - - - - -						

<b>Shape No.: 8074</b>		<b>Thickness: 18.5 mm</b>				
Information: Porsche						
Compounds: <b>RSL 1</b> <b>RSL 29</b>						
Related Shape No. : - - - - -						
Thickness (mm) : - - - - -						

<b>Shape No.: 8076</b>		<b>Thickness: 14.4 mm</b>				
Information: AP Racing						
Compounds: <b>RSL 29</b> <b>RST 1</b> <b>RS 14</b>						
Related Shape No. : 4349 - - - - -						
Thickness (mm) : 16 - - - - -						

<b>Shape No.: 8077</b>		<b>Thickness: 13.1 mm</b>				
Information: Mazda						
Compounds: <b>RSL 29</b> <b>RS 44</b>						
Related Shape No. : - - - - -						
Thickness (mm) : - - - - -						

Illustrations are for identification purpose only. The right of modification in construction, design or model application is reserved. Even if shown in the drawing, accessories such as clips, springs, rivets, wear indicators, damping shims etc. are generally not part of PAGID Racing pads.

Shape List

More applications and compounds on inquiry

## SHAPE LIST

<b>Shape No.:</b> 8078	<b>Thickness:</b> 16 mm					
Information:	Caparo AP					
Compounds:	<b>RST 4</b>	<b>RS 42</b>				
Related Shape No. :	-	-	-	-	-	-
Thickness (mm) :	-	-	-	-	-	-

<b>Shape No.:</b> 8081	<b>Thickness:</b> 17 mm					
Information:	Aston Martin / Audi / Brembo / Cadillac / Chevrolet Mercedes / Nissan					
Compounds:	<b>RSL 1</b>	<b>RSL 29</b>	<b>RSC 1</b>	<b>RSC 2</b>	<b>RSC 3</b>	<b>RS 14</b>
Related Shape No. :	-	-	-	-	-	-
Thickness (mm) :	-	-	-	-	-	-

<b>Shape No.:</b> 8082	<b>Thickness:</b> 15 mm					
Information:	Mazda					
Compounds:	<b>RSL 1</b>	<b>RSL 29</b>	<b>RST 3</b>			
Related Shape No. :	-	-	-	-	-	-
Thickness (mm) :	-	-	-	-	-	-

<b>Shape No.:</b> 8083	<b>Thickness:</b> 17 mm					
Information:	Brembo / Ferrari					
Compounds:	<b>RSL 1</b>	<b>RSL 29</b>	<b>RSC 1</b>	<b>RSC 2</b>	<b>RSC 3</b>	
Related Shape No. :	-	-	-	-	-	-
Thickness (mm) :	-	-	-	-	-	-

<b>Shape No.:</b> 8084	<b>Thickness:</b> 16.7 mm					
Information:	BMW					
Compounds:	<b>RSL 29</b>					
Related Shape No. :	-	-	-	-	-	-
Thickness (mm) :	-	-	-	-	-	-

<b>Shape No.:</b> 8085	<b>Thickness:</b> 17 mm					
Information:	BMW					
Compounds:	<b>RSL 1</b>	<b>RSL 29</b>				
Related Shape No. :	-	-	-	-	-	-
Thickness (mm) :	-	-	-	-	-	-

Shape List

Illustrations are for identification purpose only. The right of modification in construction, design or model application is reserved. Even if shown in the drawing, accessories such as clips, springs, rivets, wear indicators, damping shims etc. are generally not part of PAGID Racing pads.

## SHAPE LIST

More applications and compounds on inquiry

<b>Shape No.:</b> 8086	<b>Thickness:</b> 18 mm					
Information:	-					
Compounds:	<b>RSH 3</b>	<b>RSH 29E</b>				
Related Shape No. :	-	-	-	-	-	-
Thickness (mm) :	-	-	-	-	-	-

<b>Shape No.:</b> 8087	<b>Thickness:</b> 25 mm					
Information:	Aston Martin / Audi / Brembo / Chevrolet Lamborghini / Ligier					
Compounds:	<b>RSL 1</b>	<b>RSL 2</b>	<b>RSL 29</b>	<b>RS 14</b>		
	<b>RST 1</b>	<b>RST 2</b>	<b>RST 3</b>	<b>RST 5</b>		
Related Shape No. :	2488	2687	8038	8173	-	-
Thickness (mm) :	29	20	22	31	-	-

<b>Shape No.:</b> 8088	<b>Thickness:</b> 18 mm					
Information:	Mercedes					
Compounds:	<b>RSL 29</b>	<b>RSC 1</b>	<b>RSC 2</b>	<b>RSC 3</b>		
Related Shape No. :	-	-	-	-	-	-
Thickness (mm) :	-	-	-	-	-	-

<b>Shape No.:</b> 8089	<b>Thickness:</b> 15.7 mm					
Information:	Mercedes					
Compounds:	<b>RSL 29</b>	<b>RSC 1</b>	<b>RSC 2</b>	<b>RSC 3</b>		
Related Shape No. :	-	-	-	-	-	-
Thickness (mm) :	-	-	-	-	-	-

<b>Shape No.:</b> 8090	<b>Thickness:</b> 22 mm					
Information:	Alcon / AP Racing / Brembo					
Compounds:	<b>RST 2</b>					
Related Shape No. :	1842	1908	-	-	-	-
Thickness (mm) :	18	24	-	-	-	-

<b>Shape No.:</b> 8091	<b>Thickness:</b> 16 mm					
Information:	Brembo / Chevrolet / Ferrari / McLaren					
Compounds:	<b>RSL 19</b>	<b>RSC 1</b>	<b>RSC 2</b>	<b>RSC 3</b>		
Related Shape No. :	-	-	-	-	-	-
Thickness (mm) :	-	-	-	-	-	-

Illustrations are for identification purpose only. The right of modification in construction, design or model application is reserved. Even if shown in the drawing, accessories such as clips, springs, rivets, wear indicators, damping shims etc. are generally not part of PAGID Racing pads.

More applications and compounds on inquiry

## SHAPE LIST

<b>Shape No.:</b> 8092	<b>Thickness:</b> 29 mm					
Information:	Alpina / PFC					
Compounds:	<b>RSL 1</b>	<b>RSL 2</b>				
Related Shape No. :	-	-	-	-	-	-
Thickness (mm) :	-	-	-	-	-	-

<b>Shape No.:</b> 8093	<b>Thickness:</b> 28.5 mm					
Information:	Alpina / Ginetta / PFC					
Compounds:	<b>RSL 1</b>	<b>RST 3</b>	<b>RST 4</b>			
Related Shape No. :	-	-	-	-	-	-
Thickness (mm) :	-	-	-	-	-	-

<b>Shape No.:</b> 8094	<b>Thickness:</b> 19 mm					
Information:	Mercedes					
Compounds:	on inquiry					
Related Shape No. :	-	-	-	-	-	-
Thickness (mm) :	-	-	-	-	-	-

<b>Shape No.:</b> 8096	<b>Thickness:</b> 18.5 mm					
Information:	Audi / Ford					
Compounds:	<b>RSL 1</b>	<b>RSL 19</b>				
Related Shape No. :	-	-	-	-	-	-
Thickness (mm) :	-	-	-	-	-	-

<b>Shape No.:</b> 8100	<b>Thickness:</b> 29 mm					
Information:	Alcon / Audi / Brembo / Ferrari					
Compounds:	<b>RSL 1</b>	<b>RSL 2</b>	<b>RSL 19</b>	<b>RSL 29</b>	<b>RST 1</b>	<b>RST 2</b>
Related Shape No. :	8101	8102	8103	8194	-	-
Thickness (mm) :	25	21	31	26	-	-

<b>Shape No.:</b> 8101	<b>Thickness:</b> 25 mm					
Information:	Brembo / Ferrari / Lamborghini / Mercedes					
Compounds:	<b>RSL 1</b>	<b>RSL 19</b>	<b>RSL 29</b>	<b>RST 1</b>	<b>RST 2</b>	<b>RST 3</b>
Related Shape No. :	8100	8102	8103	8194	-	-
Thickness (mm) :	29	21	31	26	-	-

Shape List

Illustrations are for identification purpose only. The right of modification in construction, design or model application is reserved. Even if shown in the drawing, accessories such as clips, springs, rivets, wear indicators, damping shims etc. are generally not part of PAGID Racing pads.



## SHAPE LIST

More applications and compounds on inquiry

<b>Shape No.: 8102</b>		<b>Thickness: 21 mm</b>				
Information: Brembo						
Compounds: on inquiry						
Related Shape No. :	8100	8101	8103	8194	-	-
Thickness (mm) :	29	25	31	26	-	-

<b>Shape No.: 8103</b>		<b>Thickness: 31 mm</b>				
Information: Brembo						
Compounds: <b>RSL 1</b> <b>RSL 2</b> <b>RST 3</b>						
Related Shape No. :	8100	8101	8102	8194	8267	-
Thickness (mm) :	29	25	21	26	18	-

<b>Shape No.: 8113</b>		<b>Thickness: 17 mm</b>				
Information: Ford Mustang rear						
Compounds: <b>RSL 29</b> <b>RST 4</b>						
Related Shape No. :	-	-	-	-	-	-
Thickness (mm) :	-	-	-	-	-	-

<b>Shape No.: 8127</b>		<b>Thickness: 14 mm</b>				
Information: Mazda Miata front						
Compounds: <b>RSL 29</b> <b>RST 3</b>						
Related Shape No. :	-	-	-	-	-	-
Thickness (mm) :	-	-	-	-	-	-

<b>Shape No.: 8129</b>		<b>Thickness: 12.5 mm</b>				
Information: Mazda Miata rear						
Compounds: <b>RSL 29</b> <b>RST 4</b>						
Related Shape No. :	-	-	-	-	-	-
Thickness (mm) :	-	-	-	-	-	-

<b>Shape No.: 8173</b>		<b>Thickness: 31 mm</b>				
Information: Brembo						
Compounds: <b>RSL 1</b> <b>RSL 2</b> <b>RSL 29</b>						
Related Shape No. :	2488	2687	8038	8087	-	-
Thickness (mm) :	29	20	22	25	-	-

Illustrations are for identification purpose only. The right of modification in construction, design or model application is reserved. Even if shown in the drawing, accessories such as clips, springs, rivets, wear indicators, damping shims etc. are generally not part of PAGID Racing pads.

More applications and compounds on inquiry

## SHAPE LIST

<b>Shape No.:</b> 8174	<b>Thickness:</b> 17 mm					
Information:	Subaru / Toyota					
Compounds:	<b>RSL 1</b>					
Related Shape No. :	-	-	-	-	-	-
Thickness (mm) :	-	-	-	-	-	-

<b>Shape No.:</b> 8175	<b>Thickness:</b> 16 mm					
Information:	Toyota					
Compounds:	<b>RSL 1</b>					
Related Shape No. :	-	-	-	-	-	-
Thickness (mm) :	-	-	-	-	-	-

<b>Shape No.:</b> 8185	<b>Thickness:</b> 15.2 mm					
Information:	Opel					
Compounds:	<b>RSL 19</b>					
Related Shape No. :	-	-	-	-	-	-
Thickness (mm) :	-	-	-	-	-	-

<b>Shape No.:</b> 8187	<b>Thickness:</b> 16.8 mm					
Information:	McLaren					
Compounds:	<b>RSC 1 RSC 2 RSC 3</b>					
Related Shape No. :	-	-	-	-	-	-
Thickness (mm) :	-	-	-	-	-	-

<b>Shape No.:</b> 8188	<b>Thickness:</b> 16.5 mm					
Information:	Mercedes					
Compounds:	<b>RSL 1 RSL 29 RS 14</b>					
Related Shape No. :	-	-	-	-	-	-
Thickness (mm) :	-	-	-	-	-	-

<b>Shape No.:</b> 8189	<b>Thickness:</b> 18.8 mm					
Information:	Mercedes					
Compounds:	<b>RSL 29</b>					
Related Shape No. :	-	-	-	-	-	-
Thickness (mm) :	-	-	-	-	-	-

Shape List

Illustrations are for identification purpose only. The right of modification in construction, design or model application is reserved. Even if shown in the drawing, accessories such as clips, springs, rivets, wear indicators, damping shims etc. are generally not part of PAGID Racing pads.

# SHAPE LIST

More applications and compounds on inquiry

**Shape No.: 8191** Thickness: 29 mm

Information: Brembo

Compounds: **RSL 1**

Related Shape No. :	1595	1607	1674	2704	8037	-
Thickness (mm) :	16	20	25	26.5	22	-

**Shape No.: 8192** Thickness: 28.5 mm

Information: AP Racing

Compounds: **RSL 1**

Related Shape No. :	1538	1903	8018	-	-	-
Thickness (mm) :	25	18	17	-	-	-

**Shape No.: 8193** Thickness: 22 mm

Information: AP Racing / Brembo

Compounds: on inquiry

Related Shape No. :	1283	1705	-	-	-	-
Thickness (mm) :	20	16	-	-	-	-

**Shape No.: 8194** Thickness: 26 mm

Information: Brembo

Compounds: **RSL 1**

Related Shape No. :	8100	8101	8102	8103	-	-
Thickness (mm) :	29	25	21	31	-	-

**Shape No.: 8195** Thickness: 17 mm

Information: Wilwood

Compounds: **RSL 29**

Related Shape No. :	2205	-	-	-	-	-
Thickness (mm) :	20	-	-	-	-	-

**Shape No.: 8197** Thickness: 27 mm

Information: BMW / PFC

Compounds: **RSL 1** **RSL 29**

Related Shape No. :	-	-	-	-	-	-
Thickness (mm) :	-	-	-	-	-	-

Illustrations are for identification purpose only. The right of modification in construction, design or model application is reserved. Even if shown in the drawing, accessories such as clips, springs, rivets, wear indicators, damping shims etc. are generally not part of PAGID Racing pads.

Shape List

More applications and compounds on inquiry

## SHAPE LIST

<b>Shape No.:</b> 8200	<b>Thickness:</b> 18.2 mm					
Information:	Alpina					
Compounds:	<b>RSL 29</b>		<b>RSC 1</b>			
Related Shape No. :	-	-	-	-	-	-
Thickness (mm) :	-	-	-	-	-	-

<b>Shape No.:</b> 8201	<b>Thickness:</b> 19.5 mm					
Information:	Audi / VW					
Compounds:	<b>RSL 2</b>		<b>RSL 29</b>			
Related Shape No. :	-	-	-	-	-	-
Thickness (mm) :	-	-	-	-	-	-

<b>Shape No.:</b> 8203	<b>Thickness:</b> 15.5 mm					
Information:	2015 Mustang Performance Package					
Compounds:	<b>RSL 29</b>					
Related Shape No. :	-	-	-	-	-	-
Thickness (mm) :	-	-	-	-	-	-

<b>Shape No.:</b> 8204	<b>Thickness:</b> 17.5 mm					
Information:	2015 Mustang rear					
Compounds:	<b>RSL 29</b>					
Related Shape No. :	-	-	-	-	-	-
Thickness (mm) :	-	-	-	-	-	-

<b>Shape No.:</b> 8208	<b>Thickness:</b> 16 mm					
Information:	Corvette & Mustang rear					
Compounds:	<b>RSL 29</b>					
Related Shape No. :	-	-	-	-	-	-
Thickness (mm) :	-	-	-	-	-	-

<b>Shape No.:</b> 8212	<b>Thickness:</b> 19 mm					
Information:	Citroen					
Compounds:	<b>RST 1</b>		<b>RST 3</b>			
Related Shape No. :	-	-	-	-	-	-
Thickness (mm) :	-	-	-	-	-	-

Shape List

Illustrations are for identification purpose only. The right of modification in construction, design or model application is reserved. Even if shown in the drawing, accessories such as clips, springs, rivets, wear indicators, damping shims etc. are generally not part of PAGID Racing pads.

## SHAPE LIST

More applications and compounds on inquiry

<b>Shape No.:</b> 8214	<b>Thickness:</b> 16.7 mm					
Information:	AP Racing / Lotus					
Compounds:	<b>RSL 29</b>					
Related Shape No. :	-	-	-	-	-	-
Thickness (mm) :	-	-	-	-	-	-

<b>Shape No.:</b> 8216	<b>Thickness:</b> 18 mm					
Information:	AP Racing					
Compounds:	<b>RSL 2</b>					
Related Shape No. :	2126	-	-	-	-	-
Thickness (mm) :	17	-	-	-	-	-

<b>Shape No.:</b> 8217	<b>Thickness:</b> 17 mm					
Information:	Brembo					
Compounds:	on inquiry					
Related Shape No. :	8049	-	-	-	-	-
Thickness (mm) :	16	-	-	-	-	-

<b>Shape No.:</b> 8222	<b>Thickness:</b> 25 mm					
Information:	AP Racing / KTM					
Compounds:	<b>RSL 1</b> <b>RSL 2</b> <b>RST 1</b> <b>RST 3</b>					
Related Shape No. :	2557	-	-	-	-	-
Thickness (mm) :	29	-	-	-	-	-

<b>Shape No.:</b> 8233	<b>Thickness:</b> 25 mm					
Information:	AP					
Compounds:	<b>RSL 2</b> <b>RST 3</b>					
Related Shape No. :	-	-	-	-	-	-
Thickness (mm) :	-	-	-	-	-	-

<b>Shape No.:</b> 8234	<b>Thickness:</b> 15 mm					
Information:	Mitsubishi					
Compounds:	on inquiry					
Related Shape No. :	1538	1903	8018	8192	-	-
Thickness (mm) :	25	18	17	28.5	-	-

Illustrations are for identification purpose only. The right of modification in construction, design or model application is reserved. Even if shown in the drawing, accessories such as clips, springs, rivets, wear indicators, damping shims etc. are generally not part of PAGID Racing pads.

More applications and compounds on inquiry

## SHAPE LIST

<b>Shape No.:</b> 8235	<b>Thickness:</b> 16.6 mm					
Information:	Porsche					
Compounds:	RSL 1		RSL 2			
Related Shape No. :	-	-	-	-	-	-
Thickness (mm) :	-	-	-	-	-	-

<b>Shape No.:</b> 8236	<b>Thickness:</b> 18.5 mm					
Information:	Porsche					
Compounds:	on inquiry					
Related Shape No. :	-	-	-	-	-	-
Thickness (mm) :	-	-	-	-	-	-

<b>Shape No.:</b> 8237	<b>Thickness:</b> 17 mm					
Information:	AP Racing					
Compounds:	RSL 1	RSL 2	RST 3			
Related Shape No. :	-	-	-	-	-	-
Thickness (mm) :	-	-	-	-	-	-

<b>Shape No.:</b> 8238	<b>Thickness:</b> 16.9 mm					
Information:	Front axle AMG GT / GTS					
Compounds:	RSL 1		RSL 29			
Related Shape No. :	-	-	-	-	-	-
Thickness (mm) :	-	-	-	-	-	-

<b>Shape No.:</b> 8239	<b>Thickness:</b> 17 mm					
Information:	Ford front					
Compounds:	RSL 29		RST 3			
Related Shape No. :	-	-	-	-	-	-
Thickness (mm) :	-	-	-	-	-	-

<b>Shape No.:</b> 8240front	<b>Thickness:</b> 14.5 mm					
Information:	Corvette C6 Z06 / Corvette C6 Grand Sport front multi pad system 12pcs					
Compounds:	RSL 29		RST 2			
Related Shape No. :	-	-	-	-	-	-
Thickness (mm) :	-	-	-	-	-	-

Shape List

Illustrations are for identification purpose only. The right of modification in construction, design or model application is reserved. Even if shown in the drawing, accessories such as clips, springs, rivets, wear indicators, damping shims etc. are generally not part of PAGID Racing pads.

## SHAPE LIST

More applications and compounds on inquiry

<b>Shape No.:</b> 8240rear	<b>Thickness:</b> 14.5 mm					
<b>Information:</b>	Corvette C6 Z06 / Corvette C6 Grand Sport rear multi pad system 8pcs					
<b>Compounds:</b>	<b>RSL 29</b>	<b>RST 2</b>				
<b>Related Shape No. :</b>	-	-	-	-	-	-
<b>Thickness (mm) :</b>	-	-	-	-	-	-

<b>Shape No.:</b> 8241	<b>Thickness:</b> 30 mm					
<b>Information:</b>	Porsche					
<b>Compounds:</b>	<b>RSL 1</b>	<b>RST 1</b>	<b>RST 2</b>	<b>RST 3</b>	<b>RST 5</b>	
<b>Related Shape No. :</b>	-	-	-	-	-	-
<b>Thickness (mm) :</b>	-	-	-	-	-	-

<b>Shape No.:</b> 8242	<b>Thickness:</b> 31.2 mm					
<b>Information:</b>	Porsche					
<b>Compounds:</b>	<b>RSL 19</b>	<b>RSL D1</b>	<b>RST D1</b>			
<b>Related Shape No. :</b>	-	-	-	-	-	-
<b>Thickness (mm) :</b>	-	-	-	-	-	-

<b>Shape No.:</b> 8245	<b>Thickness:</b> 25 mm					
<b>Information:</b>	Alcon, AP Racing					
<b>Compounds:</b>	<b>RSL 1</b>	<b>RSL 2</b>				
<b>Related Shape No. :</b>	-	-	-	-	-	-
<b>Thickness (mm) :</b>	-	-	-	-	-	-

<b>Shape No.:</b> 8246 / 8247	<b>Thickness:</b> 18.8 mm					
<b>Information:</b>	Rear axle AMG GT / GTS / GTR, set includes 2x 8246 / 2x 8247					
<b>Compounds:</b>	<b>RSL 29</b>	<b>RSC 1</b>				
<b>Related Shape No. :</b>	-	-	-	-	-	-
<b>Thickness (mm) :</b>	-	-	-	-	-	-

Illustrations are for identification purpose only. The right of modification in construction, design or model application is reserved. Even if shown in the drawing, accessories such as clips, springs, rivets, wear indicators, damping shims etc. are generally not part of PAGID Racing pads.

More applications and compounds on inquiry

## SHAPE LIST

<b>Shape No.: 8250</b>		<b>Thickness: 28.5 mm</b>				
Information: Alcon, AP Racing						
Compounds: <b>RSL 1</b>						
Related Shape No. :	1539	1904	-	-	-	-
Thickness (mm) :	25	18	-	-	-	-

<b>Shape No.: 8251</b>		<b>Thickness: 18 mm</b>				
Information:						
Compounds: <b>RSL 1</b> <b>RSL 2</b> <b>RSL 29</b> <b>RST 1</b> <b>RST 3</b>						
Related Shape No. :	-	-	-	-	-	-
Thickness (mm) :	-	-	-	-	-	-

<b>Shape No.: 8253</b>		<b>Thickness: 16 mm</b>				
Information: Dodge Viper, Camaro ZL1						
Compounds: on inquiry						
Related Shape No. :	-	-	-	-	-	-
Thickness (mm) :	-	-	-	-	-	-

<b>Shape No.: 8257</b>		<b>Thickness: 16 mm</b>				
Information: AMG GTS (disc 360 mm) Akebono Caliper						
Compounds: <b>RSL 29</b>						
Related Shape No. :	-	-	-	-	-	-
Thickness (mm) :	-	-	-	-	-	-

<b>Shape No.: 8258</b>		<b>Thickness: 16 mm</b>				
Information: AP Racing						
Compounds: <b>RSL 1</b> <b>RST 3</b>						
Related Shape No. :	-	-	-	-	-	-
Thickness (mm) :	-	-	-	-	-	-

<b>Shape No.: 8261</b>		<b>Thickness: 25 mm</b>				
Information: AP Racing / McLaren						
Compounds: <b>RSL 2</b>						
Related Shape No. :	4346	-	-	-	-	-
Thickness (mm) :	16.7	-	-	-	-	-

Shape List

Illustrations are for identification purpose only. The right of modification in construction, design or model application is reserved. Even if shown in the drawing, accessories such as clips, springs, rivets, wear indicators, damping shims etc. are generally not part of PAGID Racing pads.



## SHAPE LIST

More applications and compounds on inquiry

**Shape No.: 8267** Thickness: 18 mm

Information: Alcon

Compounds: **RST 1** **RST 3**

Related Shape No. :	1595	1607	1674	2704	8037	8191
Thickness (mm) :	16	20	25	26.5	22	29

**Shape No.: 8268** Thickness: 25 mm

Information: Alcon

Compounds: **RST 1** **RST 3**

Related Shape No. :	2475	-	-	-	-	-
Thickness (mm) :	20	-	-	-	-	-

**Shape No.: 8269** Thickness: 15.6 mm

Information: McLaren 720S

Compounds: **RSC 1**

Related Shape No. :	-	-	-	-	-	-
Thickness (mm) :	-	-	-	-	-	-

**Shape No.: 8270** Thickness: 15.8 mm

Information: McLaren 720S

Compounds: **RSC 1**

Related Shape No. :	-	-	-	-	-	-
Thickness (mm) :	-	-	-	-	-	-

**Shape No.: 9521** Thickness: 15.4 mm

Information: -

Compounds: **RSH 42**

Related Shape No. :	-	-	-	-	-	-
Thickness (mm) :	-	-	-	-	-	-



Illustrations are for identification purpose only. The right of modification in construction, design or model application is reserved. Even if shown in the drawing, accessories such as clips, springs, rivets, wear indicators, damping shims etc. are generally not part of PAGID Racing pads.

## RACING BRAKE PADS / COMPOUND GUIDE

Our PAGID Racing Brake Pad Shapes are available in following compounds.

Shape No.	Compounds RSL					Compounds RST						Compounds RS					Compounds RSC			Compounds RSH			
	RSL 1	RSL 2	RSL 19	RSL 29	RSL D1	RST 1	RST 2	RST 3	RST 4	RST 5	RST D1	RS 14	RS 34	RS 36	RS 42	RS 44	RSC 1	RSC 2	RSC 3	RSH 3	RSH 29E	RSH 42	
1141			•																				
1144				•											•								
1146*																							
1151																							•
1158			•	•								•			•	•							
1163												•			•								
1177																							•
1190																						•	
1191																					•	•	•
1192																					•	•	•
1193																						•	
1195																					•	•	
1196							•																
1203			•	•				•	•			•			•	•							
1204			•	•				•				•			•	•							
1265				•		•	•			•											•		•
1267			•																				
1269				•		•	•		•												•		•
1270	•			•		•	•	•	•	•					•								
1276				•											•								
1283						•	•	•	•	•					•	•							
1285	•			•					•			•			•	•							
1287	•			•		•	•	•	•			•			•	•	•		•				
1288															•								
1291																						•	
1295	•			•		•	•	•				•			•	•							
1323*																							
1361	•			•		•	•	•	•	•		•											•
1362																					•		•
1363		•		•			•		•			•				•							•
1406	•			•				•				•			•								
1408	•			•		•		•				•			•	•	•						
1427	•			•				•							•	•							
1538			•	•		•		•															
1539	•	•		•		•	•	•	•	•					•								
1544				•												•							

\* on inquiry

# RACING BRAKE PADS / COMPOUND GUIDE

Our PAGID Racing Brake Pad Shapes are available in following compounds.

Shape No.	Compounds RSL					Compounds RST						Compounds RS				Compounds RSC			Compounds RSH				
	RSL 1	RSL 2	RSL 19	RSL 29	RSL D1	RST 1	RST 2	RST 3	RST 4	RST 5	RST D1	RS 14	RS 34	RS 36	RS 42	RS 44	RSC 1	RSC 2	RSC 3	RSH 3	RSH 29E	RSH 42	
1580																							
1587			•	•					•			•			•	•							
1591															•								
1594USA*																							
1595USA*																							
1595	•		•	•		•	•	•	•	•		•			•	•							
1607	•			•		•	•	•		•		•			•								
1610															•								
1616						•	•	•		•													
1617						•		•		•													
1618	•			•																			
1619	•					•		•															
1620								•							•								
1674	•	•	•	•	•	•	•	•	•		•					•							
1678															•								
1682								•				•			•								
1702				•				•				•			•								
1703																							•
1705				•		•		•		•		•											
1712USA*																							
1743												•			•								
1744																					•	•	
1749		•		•		•	•		•	•										•		•	
1756				•																			
1796				•											•								
1798USA*																							
1809USA*																							
1813	•										•												
1842	•		•	•				•				•			•	•							
1852				•				•															
1896	•			•		•	•	•		•		•											
1897															•								
1903	•	•		•		•		•	•			•			•		•						
1904	•		•	•		•		•		•													
1908	•			•				•															
1916																					•	•	

Compound Guide

\* on inquiry

# RACING BRAKE PADS / COMPOUND GUIDE

Our PAGID Racing Brake Pad Shapes are available in following compounds.

Shape No.	Compounds RSL					Compounds RST						Compounds RS					Compounds RSC			Compounds RSH			
	RSL 1	RSL 2	RSL 19	RSL 29	RSL D1	RST 1	RST 2	RST 3	RST 4	RST 5	RST D1	RS 14	RS 34	RS 36	RS 42	RS 44	RSC 1	RSC 2	RSC 3	RSH 3	RSH 29E	RSH 42	
2016*																							
2017	•					•		•															
2019	•					•				•													
2053*																							
2105*																							
2126	•			•		•		•		•					•								
2127	•			•		•		•	•	•		•			•								
2180				•		•		•															
2205						•																	
2206				•		•		•															
2213				•		•																	
2275				•																			
2388*																							
2405	•		•	•				•	•			•			•	•	•						
2406	•		•	•				•				•			•	•							
2407				•				•				•			•	•							
2445															•								
2474			•	•				•				•			•	•							
2475						•		•															
2487	•		•	•		•		•		•		•			•		•						
2488	•	•	•	•		•	•	•															
2555	•			•		•		•	•	•		•											
2557	•			•		•	•	•															
2558	•																						
2559	•																						
2560	•					•				•													
2564	•	•				•		•															
2581USA*																							
2593												•											
2623				•											•								
2683				•																			
2685	•			•		•			•														
2687				•																			
2688			•	•		•																	
2704	•	•	•	•	•						•												
2707			•	•								•			•		•		•				

# RACING BRAKE PADS / COMPOUND GUIDE

Our PAGID Racing Brake Pad Shapes are available in following compounds.

Shape No.	Compounds RSL					Compounds RST						Compounds RS					Compounds RSC			Compounds RSH			
	RSL 1	RSL 2	RSL 19	RSL 29	RSL D1	RST 1	RST 2	RST 3	RST 4	RST 5	RST D1	RS 14	RS 34	RS 36	RS 42	RS 44	RSC 1	RSC 2	RSC 3	RSH 3	RSH 29E	RSH 42	
2723																							
2743																							
2830																							
2845																							
2905USA*																							
2931																							
2959																							
3102																							
3190																							
3242*																							
3276																							
3277																							
3278																							
3279																							
3830USA*																							
4011																							
4122																							
4304																							
4345																							
4346																							
4349																							
4501																							
4503																							
4507																							
4508																							
4509*																							
4580																							
4581																							
4623																							
4634																							
4702																							
4703																							
4823																							
4905																							
4906																							
4907																							

\* on inquiry

# RACING BRAKE PADS / COMPOUND GUIDE

Our PAGID Racing Brake Pad Shapes are available in following compounds.

Shape No.	Compounds RSL					Compounds RST						Compounds RS					Compounds RSC			Compounds RSH		
	RSL 1	RSL 2	RSL 19	RSL 29	RSL D1	RST 1	RST 2	RST 3	RST 4	RST 5	RST D1	RS 14	RS 34	RS 36	RS 42	RS 44	RSC 1	RSC 2	RSC 3	RSH 3	RSH 29E	RSH 42
4908	•			•		•		•									•		•			
4909	•		•	•		•		•									•	•	•			
4910																	•					
4912						•		•														
4913								•														
4916						•		•														
4917	•			•													•		•			
4918	•		•	•				•									•		•			
4920	•			•		•		•														
4921	•		•	•		•		•														
4922	•			•		•		•														
4923	•	•				•		•														
4924	•			•		•		•														
4925	•		•	•		•		•									•	•	•			
4927	•			•													•	•	•			
4928	•	•	•	•		•		•														
4929	•	•	•	•	•			•			•											
4930*																						
4931	•			•																		
4932				•													•	•				
4933	•			•																		
4934				•													•					
4935																	•	•				
4936																•						
4937																	•	•				
4938																	•	•				
4939																•						
4940								•								•						
4941																	•	•				
4943																	•	•				
4945																	•					
4946																	•					
7034		•																				
7035		•																				
8000				•			•		•						•							
8001				•				•							•							

# RACING BRAKE PADS / COMPOUND GUIDE

Our PAGID Racing Brake Pad Shapes are available in following compounds.

Shape No.	Compounds RSL					Compounds RST						Compounds RS					Compounds RSC			Compounds RSH			
	RSL 1	RSL 2	RSL 19	RSL 29	RSL D1	RST 1	RST 2	RST 3	RST 4	RST 5	RST D1	RS 14	RS 34	RS 36	RS 42	RS 44	RSC 1	RSC 2	RSC 3	RSH 3	RSH 29E	RSH 42	
8003	•			•		•				•		•											
8004	•		•	•		•		•		•		•											
8005	•		•									•											
8006	•		•	•		•		•		•		•					•		•				
8007				•																			
8008	•			•				•									•						
8009															•								
8010				•																			
8011				•		•											•						
8018				•		•	•	•	•														
8019			•																				
8021	•		•				•									•	•	•					
8023	•	•		•		•		•	•	•													
8027				•																			
8028				•		•		•															
8029				•																			
8030						•		•	•	•													
8031			•																				
8032																					•	•	•
8033	•					•		•	•	•													
8034*																							
8035	•			•												•							
8037	•		•	•		•	•																
8038	•		•	•		•	•	•				•											
8039			•														•						
8040																					•		•
8041																						•	
8042																						•	•
8043				•																			
8044	•					•		•		•													
8045*																							
8046			•													•							
8049	•		•	•		•	•	•	•				•	•	•								
8049U													•										
8050			•	•		•																	
8051	•		•																				

\* on inquiry

# RACING BRAKE PADS / COMPOUND GUIDE

Our PAGID Racing Brake Pad Shapes are available in following compounds.

Shape No.	Compounds RSL					Compounds RST						Compounds RS					Compounds RSC			Compounds RSH			
	RSL 1	RSL 2	RSL 19	RSL 29	RSL D1	RST 1	RST 2	RST 3	RST 4	RST 5	RST D1	RS 14	RS 34	RS 36	RS 42	RS 44	RSC 1	RSC 2	RSC 3	RSH 3	RSH 29E	RSH 42	
8053	•		•			•	•	•									•						
8055																							•
8056																					•	•	
8057																					•		
8058																					•		
8059																					•	•	
8060			•	•		•	•	•	•				•	•	•								
8060U													•										
8061				•													•						
8062	•			•																			
8064			•				•	•															
8067																							•
8068																						•	
8069			•												•								
8070																						•	
8071																						•	
8074	•			•																			
8076				•		•						•											
8077				•											•								
8078									•						•								
8081	•			•								•					•	•	•				
8082	•			•					•														
8083	•			•													•	•	•				
8084				•																			
8085	•			•																			
8086																					•	•	
8087	•	•		•		•	•	•		•		•											
8088				•													•	•	•				
8089				•													•	•	•				
8090									•														
8091			•														•	•	•				
8092	•	•																					
8093	•								•	•													
8094*																							
8096	•		•																				
8100	•	•	•	•		•	•																



# RACING BRAKE PADS / COMPOUND GUIDE

Our PAGID Racing Brake Pad Shapes are available in following compounds.

Shape No.	Compounds RSL					Compounds RST						Compounds RS					Compounds RSC			Compounds RSH			
	RSL 1	RSL 2	RSL 19	RSL 29	RSL D1	RST 1	RST 2	RST 3	RST 4	RST 5	RST D1	RS 14	RS 34	RS 36	RS 42	RS 44	RSC 1	RSC 2	RSC 3	RSH 3	RSH 29E	RSH 42	
8101	•		•	•		•	•	•															
8102*																							
8103	•	•						•															
8113				•					•														
8127				•				•															
8129				•					•														
8173	•	•		•																			
8174	•																						
8175	•																						
8185			•																				
8187																	•	•	•				
8188	•			•								•											
8189				•																			
8191	•																						
8192	•																						
8193*																							
8194	•																						
8195				•																			
8197	•			•																			
8200				•													•						
8201		•		•																			
8203				•																			
8204				•																			
8208				•																			
8212						•		•															
8214				•																			
8216		•																					
8217*																							
8222	•	•				•		•															
8233		•						•															
8234*																							
8235	•	•																					
8236*																							
8237	•	•						•															
8238	•			•																			
8239				•				•															

Compound Guide

\* on inquiry

## RACING BRAKE PADS / COMPOUND GUIDE

Our PAGID Racing Brake Pad Shapes are available in following compounds.

Shape No.	Compounds RSL					Compounds RST						Compounds RS					Compounds RSC			Compounds RSH			
	RSL 1	RSL 2	RSL 19	RSL 29	RSL D1	RST 1	RST 2	RST 3	RST 4	RST 5	RST D1	RS 14	RS 34	RS 36	RS 42	RS 44	RSC 1	RSC 2	RSC 3	RSH 3	RSH 29E	RSH 42	
8240front				•			•																
8240rear				•			•																
8241	•					•	•	•		•													
8242			•		•						•												
8245	•	•																					
8246/8247				•													•						
8250	•																						
8251	•	•		•		•		•															
8253*																							
8257				•																			
8258	•							•															
8261		•																					•
8267						•		•															
8268						•		•															
8269																	•						
8270																	•						
9521																							•

